

Room Thermostat FWT

Instructions



SPECIFICATIONS

Set-point Range: 5°C to 35°C
 Display Accuracy: $\pm 1^\circ\text{C}$
 Switch Current Rating: < 3A
 Sensing Element: NTC.

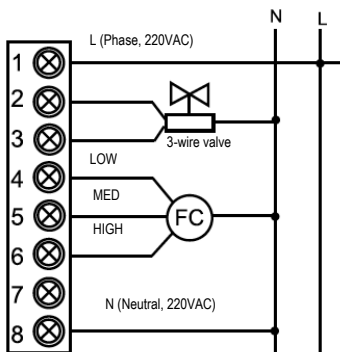
Display: Large Character LCD
 Power Supply: 220VAC+15% 50/60 Hz
 Dimensions: 86 x 86 x 13.5 mm
 Housing: Flame Retarding ABS

MOUNTING

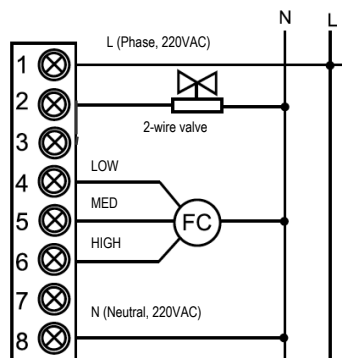
1. The thermostat is flush mount, a fixing box of ideally 45mm depth should be sunk into the wall prior to installation.
2. Installation should be carried out by a qualified electrician.
3. Choose a location about 5 feet (1.5 meter) above the floor with good air circulation.
4. To avoid electrical shock and to prevent damage to the furnace, air conditioner, and thermostat, disconnect the power supply before beginning work, which can be done at the fuse box, at the circuit breaker, or at the appliance.

WIRING DIAGRAMS

to control fan coil with 3-wire motorized valve





to control fan coil with 2-wire motorized valve







STAND BY STATE

When the thermostat is first connected to power, the thermostat will be in stand by state, the LCD displays RT with current room temperature.

TO TURN THE THERMOSTAT ON/OFF

1. To turn the thermostat on, press 
2. To turn the thermostat off, press  again.

When the thermostat is turned on, the LCD displays:


1. ST (set temperature, this is the temperature the thermostat is currently controlling to)
2. RT (room temperature, this is actual room temp.)
3. Operating mode, for example:
Heating mode: with icon 
Cooling mode: with icon 
Ventilating mode: with icon 
4. Fan speed display status icon 

TO ADJUST THE SET ROOM TEMPERATURE


1. Press up or down key to set the desired temp.
2. Press any other button to accept or automatically accept after 5 seconds of inactivity.

TO ADJUST THE FAN SPEED

With each press of the fan speed key

, the thermostat will change the speed among low, medium, high and auto speed. When the thermostat is turned on, the default fan speed is medium speed. When in auto fan speed mode, the fan speed will be displayed on screen along with the auto symbol.

HEATING MODE/COOLING MODE

Press  to select heating or cooling mode.

KEY BOARD LOCK


1. Press and hold up arrow button for 5 seconds to lock the key board.
2. Press and hold down arrow button for 5 seconds to unlock the key board.

HEATING MODE



In heating mode,  will display on the LCD.

Also in heating mode, when the fan speed is set to auto, the fan coil will run in high speed if the actual room temperature is 3 °C below the set temperature; Medium speed if 2 °C below the set temperature; Low speed if 1 °C below the set temperature.

COOLING MODE

In cooling mode, an icon  will display on the LCD. Also in cooling mode, if the fan speed is set to auto, the fan coil will run in high speed if the actual room temperature is 3 °C above the set temperature; Medium speed if 2 °C above the set temperature; Low speed if 1 °C above the set temperature.

TEMPERATURE CALIBRATING:

1. When the thermostat is in stand by state, press and hold  for 3 seconds then release, the temperature starts flashing.
2. Press up or down key to adjust the temperature to the correct value.
3. Press  to accept the value.

Note: It is recommended that the calibrating is done after the thermostat has been operating for 1 hour.