



UK Instructions for use
DE Bedienungsanleitung
FR Mode d'emploi
DK Brugsanvisning
NO Bruksanvisning
NL Gebruiksaanwijzing

ES Instrucciones para el uso
CZ Návod k použití
PL Instrukcja obsługi
IT I Istruzioni per l'uso
RUS Инструкция по эксплуатации



Before use

Before operating your new appliance, please read the following instructions carefully as they contain important information on safety, installation, operation and maintenance. Keep the instructions for future reference.

On receipt check to ensure that the appliance has not been damaged. Transport damage should be reported to the local distributor before the appliance is put to use.

Remove the packaging. Clean the inside of the cabinet using warm water with a mild, perfume-free detergent. Rinse with clean water and dry thoroughly (see cleaning instructions). Use a soft cloth.

If the appliance has been stored in cold surroundings (colder than +5 °C), it must be allowed to stabilise for at least an hour before being switched on.

If the appliance has been stood on end during transport, it must be allowed to stabilise in normal position for approx. 12 hours before being switched on.

Warning

As the refrigerant used in this appliance is a flammable gas (Isobutane R600a), special care must be taken to prevent damage to the refrigerant circuit and piping during transport and installation.

If damage does occur, avoid sparks or naked flame in the vicinity of the appliance, ensure that the room is well ventilated, disconnect the power supply, and contact your supplier.

The unit must only be serviced by qualified technicians from an approved service centre.

Old appliances

Old refrigerators and freezers are often fitted with complicated latches that can only be opened from the outside. If you

have one of these old units stored away somewhere, or if you scrap one, remember to destroy the latch first in order to prevent children from being exposed to great danger by getting locked inside the unit.

Contents

Get to know your chest freezer.....	3
Installation and start-up.....	4
Electrical connection.....	5
Operation and function.....	6
Use.....	8
Defrosting.....	9
Cleaning and maintenance.....	10
Fault finding.....	11
Warranty, spare parts and service.....	12
Disposal.....	13

Get to know your chest freezer

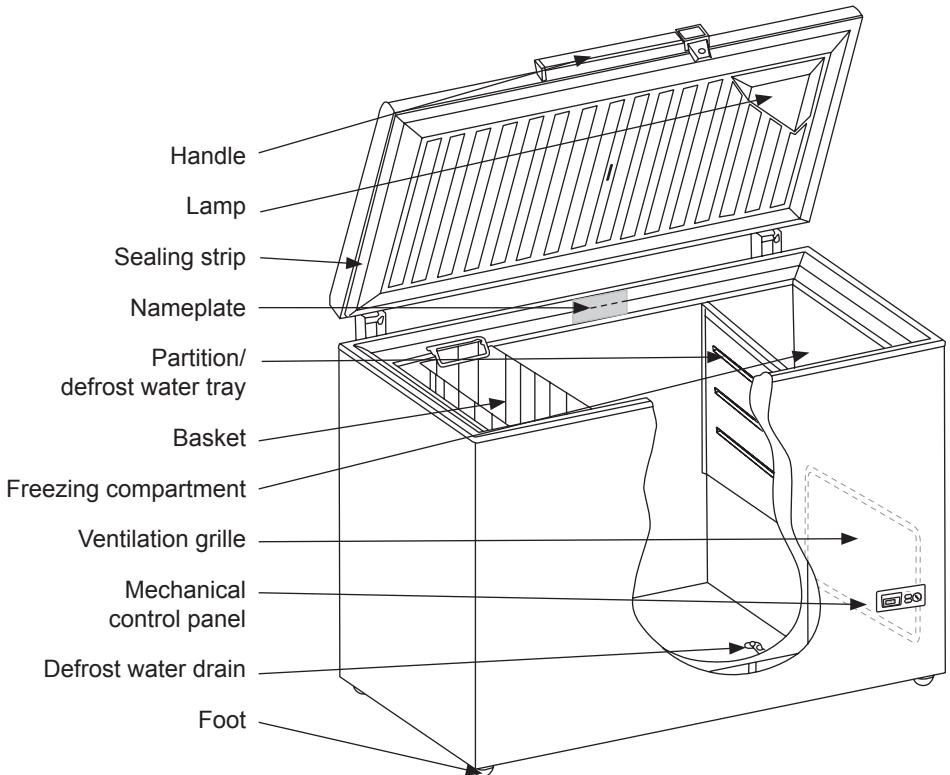


fig. 1

Installation and start-up

Placement

For safety and operational reasons, the appliance must not be installed outdoors.

The appliance should be placed on a stable, level surface in a dry, well-ventilated room (max. 75% relative air humidity).

Never place the appliance close to sources of heat such as cookers or radiators, and avoid placing it in direct sunlight.

Room temperature

The climate class is stated on the nameplate (see fig. 1 on page 3 and fig. 10 on page 12). This specifies the optimum room temperature.

Climate class	Optimum room temperature
SN	+10 °C to +32 °C
N	+16 °C to +32 °C
ST	+18 °C to +38 °C
T	+18 °C to +43 °C

If the room temperature is sub zero, the appliance will not function correctly.

Ventilation

It is important that the appliance be well ventilated and that air can circulate unhindered above, below and around it. Figure 2 illustrates how the necessary air circulation can be ensured.

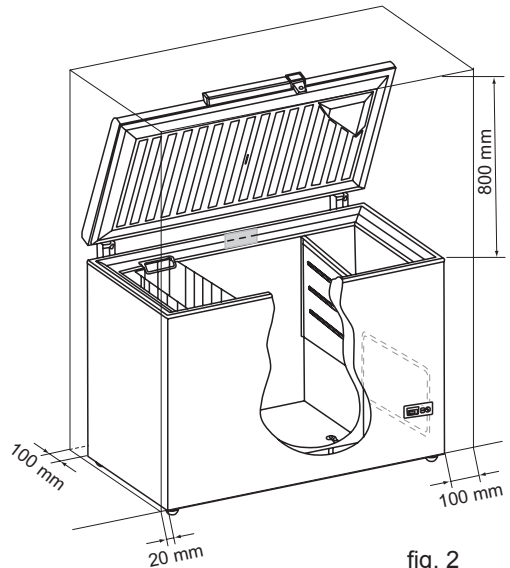


fig. 2

There must be at least 15 mm clearance between the base of the appliance and the floor.

IMPORTANT! There must be free access to the ventilation grille (fig. 3).

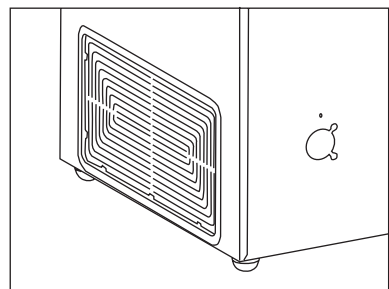


fig. 3

Electrical connection

The appliance is intended for connection to alternating current. The required voltage (V) and frequency (Hz) are stated on the nameplate on the rear of the appliance.

Power must be connected via an independent wall socket outlet.

If the mains lead has been damaged, it must be replaced with a corresponding type supplied by the manufacturer or an approved service centre.

Technical data

This appliance complies with CE marking regulations, directives and standards.

Low Voltage Directive 73/23/EEC.

EMC Directive 89/336/EEC.

Council Directive 92/75/EEC on the energy labelling of household appliances as subsequently amended by 94/2/EC and 2003/66/EC.

Directive 96/57/EC on energy efficiency requirements, and subsequent amendments.

Operation and function

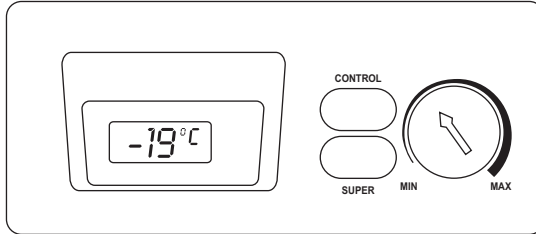


fig. 4

Mechanical controls

In addition to a thermostat knob, the control panel contains two control lamps and a button (fig. 4). Control panel design and lamp position may vary.

The green lamp is lit when power is correctly supplied.

The yellow lamp is lit when the Super Freeze button has been pressed (see Super Freeze).

Starting up

Connect the appliance to the socket outlet. The green lamp lights up to indicate that power is supplied. The red lamp on the control panel will also light up to indicate that the temperature inside the freezer is not yet sufficiently low.

Temperature setting

The temperature is set by turning the thermostat knob from MIN to MAX. It is recommended that a coin be used to turn the knob. The more the thermostat knob is turned towards MAX, the lower the temperature. To test whether the setting is correct, measure the temperature of the uppermost item in the centre of the freezer.

It must be no warmer than -18°C .

Super Freeze

If more than 3 kg of fresh items are to be frozen, proceed as follows:

1. Press the Super Freeze button (the yellow lamp lights up). The freezer then operates at maximum capacity (the compressor runs continuously).
2. Activate Super Freeze 24 hours before placing fresh items in the freezer.
3. After placing fresh items in the freezer, leave Super Freeze on for a further 24 hours.
4. Then press the Super Freeze button again (the yellow lamp goes off).

Use

Freezer

The appliance is a four-star freezer approved for freezing and storing frozen items of food.

Freezing

To keep food at its best, items must be frozen to $-18\text{ }^{\circ}\text{C}$ as quickly as possible. The freezing capacity of the freezer is stated on the nameplate in kg/24 hours (see fig. 1 on page 3 and fig. 10 on page 16). Activating the Super Freeze function reduces freezer temperature to $-25\text{ }^{\circ}\text{C}$. If items weighing 3 kg or more are to be frozen, the Super Freeze button should be activated about 24 hours in advance.

To freeze smaller quantities, it is sufficient to activate Super Freeze just a couple of hours in advance, or even at the same time as items are placed in the freezer. There is no need to use Super Freeze when pre-frozen items are placed in the freezer or when small, single items are involved. Only freeze high-quality fresh products. Meat, poultry, fish, vegetables, fruit, dairy products and ready-made meals are suitable for freezing. Items with a high water content, e.g. lettuce, radishes, grapes, apples, pears and cucumbers, are not suitable for freezing.

Pack items to be frozen in airtight containers, freezer bags or similar. Freeze items in suitable portions. Do not freeze vegetables or meat in portions larger than 2.5 kg. Keep packages dry to prevent them from freezing together. To ensure rapid freezing, make sure, as far as possible, that items placed in the freezer are not touching each other. Ensure that there is as little air in the packages as possible to prevent the surfaces of the items from drying out.

Items to be frozen should be placed in the freezing compartment or evenly distributed along the inner walls of the freezer.

Always remember to write the date, content and quantity on the packages before placing them in the freezer. It is a good idea to group items within the freezer. Keep vegetables in one place, meat in another, and so on.

There must be at least 5 mm clearance between the lid and items stored in the freezer.

Items stored in the baskets are highly visible and easily accessible (fig. 6).



fig. 6

Thawing

Frozen vegetables and fruit require no thawing before use and can be immersed in boiling water directly from the freezer.

To thaw meat, it is advisable to take it out of the freezer the day before it is to be used and place it in a refrigerator to defrost. This ensures the best hygiene and maintains meat quality as much as possible.

Note:

Glass bottles or cans containing carbonated (fizzy) drinks must never be placed in the freezer as they may explode.

Defrosting

The items stored and the humidity of the air gradually cause frost and ice to form in the freezer. A thin layer of frost or ice does not affect freezer performance, but the thicker the layer, the higher the energy consumption. Small amounts of loose frost can be removed using a plastic scraper.

Never use electrical apparatus or sharp implements as these may damage the inside of the appliance.

When the layer of frost and ice exceeds 4-5 mm the freezer should be completely defrosted. It is recommended that defrosting be performed when there are no or only a few items stored in the freezer.

Proceed as follows:

1. Press the Super Freeze button 4-5 hours before defrosting. This lowers the temperature of the items stored to approx. -25°C , thus prolonging the length of time they remain frozen after having been removed from the freezer (see step 3 below).
2. Disconnect the power supply.
3. Remove the items of food. Place them in a refrigerator or wrap them up to keep them as cold as possible.
4. Keep the freezer lid open.
5. Position the partition under the defrost water drain.
6. Place a bowl of hot (but not boiling) water in the freezer, close the lid and wait approx. 30 minutes before removing loose frost with the plastic scraper.
7. To prevent water from damaging the floor during defrosting, it is advisable to check the defrost water tray from time to time and to cover the floor around the defrost water drain to protect

against ice and splashes. When all the frost and ice have melted, clean the inside of the cabinet using water with a mild, perfume-free detergent. Dry the freezer with a soft cloth.

8. Reconnect the power supply. If many items are to be returned to the freezer, activate the Super Freeze button.
9. Return items to the freezer approx. 5 minutes after having switched it on.

Remember to reinsert the stopper in the defrost water drain.

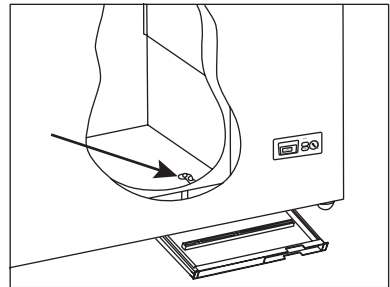


fig. 8

Cleaning and maintenance

Cleaning

Before cleaning, disconnect the power supply and remove all loose fittings.

The cabinet is best cleaned using warm water (max. 65 °C) with a little mild, perfume-free detergent. Never use cleaning agents that scour. Use a soft cloth. Rinse with clean water and dry thoroughly. It is important to prevent water from entering the control panel.

The sealing strip around the lid must be cleaned regularly to prevent discolouration and prolong service life. Use clean water. After cleaning the sealing strip, check that it continues to provide a tight seal.

The ventilation grille must be kept free of dust and dirt. Clean it with a vacuum cleaner.

If the appliance is not to be used for any length of time, switch it off, disconnect the power supply, empty it, clean the cabinet and leave the lid open to allow air circulation and prevent smells.

Replacing the bulb

1. Disconnect the power supply by pulling the plug out of the socket.
2. Remove the lamp cover by pressing its upper edge downwards to release it from the two clips (fig. 9).
3. Replace the bulb(s).
4. Refit the cover and reconnect the power supply.

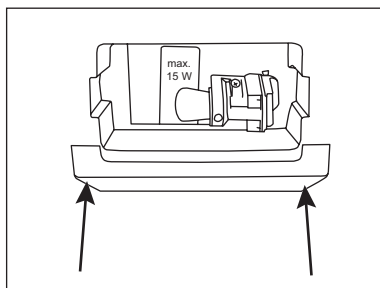


fig. 9

Save energy

- Cool hot food and beverages before placing them in the freezer.
- Thaw frozen items in a refrigerator.
- Keep the lid closed as much as possible.
- Check regularly that the lid closes tightly.
- Position the freezer in a cool (min. 5 °C), well-ventilated room.
- Place frozen items in a refrigerator while defrosting the freezer.
- Defrost the freezer before the layer of ice becomes excessively thick.

Fault finding

Fault	Possible cause	Remedy
No control lamps are lit.	The appliance is switched off. Power failure; the fuse is blown; the appliance is not plugged in correctly.	Check the plug and socket. Check that power is connected. Reset the fuse.
Temperature in freezer too high.	The ventilation grille is blocked. The lid is not closed properly. The quantity of fresh items placed in the freezer is greater than the capacity of the appliance. Thick layer of frost and ice. The thermostat is set too high.	Ensure unhindered air circulation. Close the lid and wait a few hours. Wait a few hours. Defrost the freezer. Set the thermostat to a lower temperature.
Temperature in freezer too low.	Super Freeze is activated. The thermostat is set too low. The lid is touching items stored in the freezer.	Switch Super Freeze off. Set the thermostat to a higher temperature. Reposition items inside the freezer and check that the lid closes tightly.
The freezer produces large quantities of frost.	Air humidity in the room is high. Items placed in the freezer are giving off moisture.	Ventilate the room more often or move the freezer to a room with lower humidity. Repack items stored in the freezer.
The lid cannot be opened.	There is underpressure in freezer.	Wait 2-3 minutes until the underpressure has been equalised and try again.
Vibration and unusual noise.	The appliance is not on a level surface. The appliance is not free standing. Baskets or partition are loose.	Position the freezer on a flat, level and stable surface. Move the appliance away from other appliances or pieces of furniture. Check movable fittings and reposition them.

Spare parts and service

Spare parts

When ordering spare parts, please state the type, serial and production numbers of your appliance (see fig. 1 on page 3 and fig. 10). This information is given on the nameplate on the rear of the appliance. The nameplate contains various technical information, including type and serial numbers.

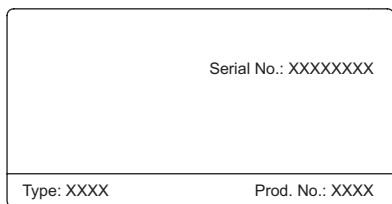


fig. 10

Note: Always use approved service centres when your appliance is to be repaired or replaced!


Disposal

Environmental regulations on disposal must also be observed. When disposing of the appliance you should contact your local authority technical department who will inform you of how collection and recycling of such units take place in your area.

This appliance is marked according to the European directive 2002/96/EC on Waste Electrical and Electronic Equipment (WEEE).

By ensuring this product is disposed of correctly, you will help prevent potential negative consequences for the environment and human health, which could otherwise be caused by inappropriate waste handling of this product.



The symbol  on the product, or on the documents accompanying the product, indicates that this appliance may not be treated as household waste. Instead it shall be handed over to the applicable collection point for the recycling of electrical and electronic equipment.

Disposal must be carried out in accordance with local environmental regulations for waste disposal.

For more detailed information about treatment, recovery and recycling of this product, please contact your local city office, your household waste disposal service or the shop where you purchased the product.

Vor dem Gebrauch

Vor dem Gebrauch Ihres neuen Geräts sollten Sie diese Bedienungsanleitung gründlich lesen. Sie enthält wichtige Informationen zu Sicherheit, Installation, Betrieb und Wartung. Bewahren Sie die Bedienungsanleitung auf. Sie könnten Sie zu einem späteren Zeitpunkt evtl. benötigen.

Kontrollieren Sie das Gerät sofort bei Lieferung auf eventuelle Beschädigungen. Transportschäden sind dem Händler zu melden, bevor das Gerät in Gebrauch genommen wird.

Verpackung entfernen. Reinigen Sie das Gerät innen mit warmem Wasser, dem Sie etwas unparfümiertes Spülmittel zugeben. Mit klarem Wasser nachwischen und gründlich trocknen (siehe „Reinigung“).

Verwenden Sie ein weiches Tuch.

Wurde das Gefriergerät bei Temperaturen unter +5 °C gelagert, muss vor dem ersten Einschalten mindestens eine Stunde zur Akklimatisierung vergehen.

Wurde das Gerät hochkant stehend transportiert, muss es vor dem ersten Einschalten etwa 12 Stunden lang in normaler Lage stehen.

Warnung

Da ein brennbares Gas (Isobutan R600a) als Kältemittel dient, ist besondere Vorsicht bei Transport und Installation geboten, damit kein Teil des Kühlkreislaufs beschädigt wird.

Sollte dies dennoch geschehen, vermeiden Sie Funken und offenes Feuer! Lüften Sie den Raum gründlich, schalten Sie danach die Stromzufuhr zum Gerät aus, und wenden Sie sich an Ihren Lieferanten. Wartungs- und Reparaturarbeiten dürfen nur von einem qualifizierten Servicecenter durchgeführt werden.

Alte Geräte

Alte Kühl- und Gefriergeräte sind häufig mit komplizierten Schnappschlössern versehen, die von innen nicht geöffnet werden können. Falls bei Ihnen ein solches Gerät steht, oder wenn Sie ein solches Gerät ausrangieren, machen Sie bitte zuerst das Schloss unbrauchbar. So verhindern Sie, dass spielende Kinder eingesperrt werden und in Lebensgefahr kommen können.

Inhalt

Lernen Sie Ihr

Gefriergerät kennen.....	3
Inbetriebnahme und Installation.....	4
Elektrischer Anschluss.....	5
Bedienung und Funktion.....	6
Gebrauch.....	7
Abtauen.....	8
Reinigung und Wartung.....	9
Fehlersuche.....	10
Ersatzteile.....	11
Entsorgung.....	12

Lernen Sie Ihr Gefriergerät kennen

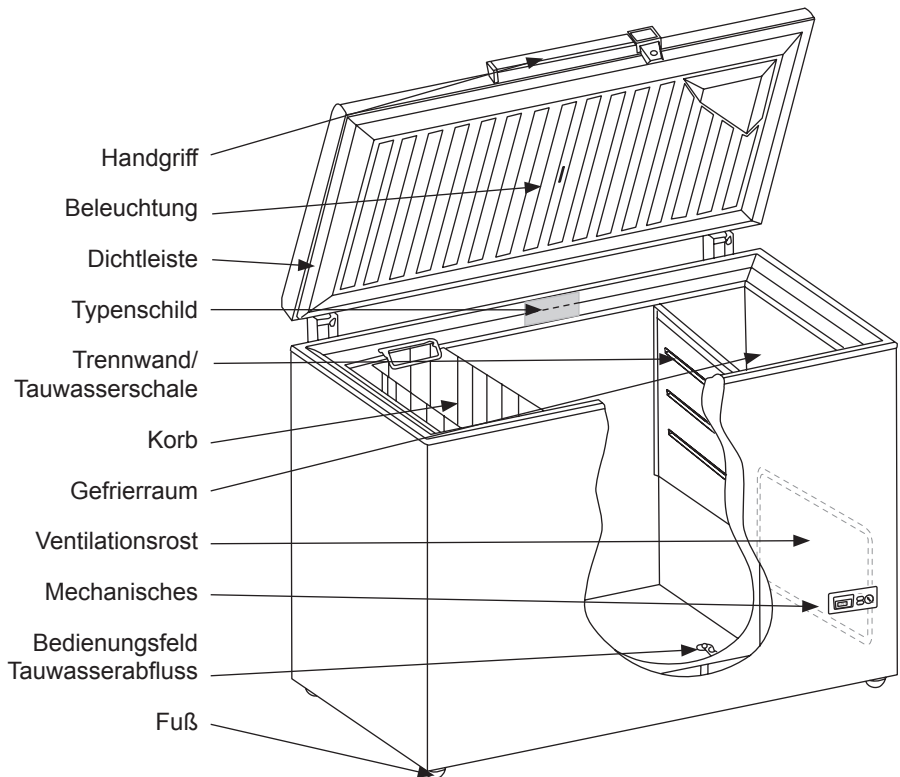


Abb. 1

Inbetriebnahme und Installation

Aufstellort

Aus Sicherheits- und betriebstechnischen Gründen darf das Gerät nicht im Freien aufgestellt werden.

Stellen Sie das Gefriergerät auf einen ebenen, waagerechten und festen Untergrund in einem trockenen, gut belüfteten Raum (max. 75% relative Luftfeuchtigkeit).

Stellen Sie die Truhe nicht in unmittelbarer Nähe von Wärmequellen wie Herden oder Heizkörpern auf, und vermeiden Sie direkte Sonneneinstrahlung oder Wärme von anderen Wärmequellen.

Raumtemperatur

Die Klimaklasse finden Sie auf dem Typenschild (siehe Abb. 1 Seite 3 und Abb. 10 Seite 12). Sie gibt an, innerhalb welcher Raumtemperaturbereiche die Gefriertruhe optimal arbeitet.

Klimaklasse	Zulässige Raumtemperatur
SN	+10 °C bis +32 °C
N	+16 °C bis +32 °C
ST	+18 °C bis +38 °C
T	+18 °C bis +43 °C

Bei Raumtemperaturen unter dem Gefrierpunkt arbeitet das Gefriergerät nicht normal.

Belüftung

Das Gerät muss ausreichend belüftet sein, und die Luftzirkulation über und unter ihm sowie seitlich von ihm darf nicht behindert sein. Abb. 2 zeigt, wie die erforderliche Luftzirkulation um das Gefriergerät herum gewährleistet wird.

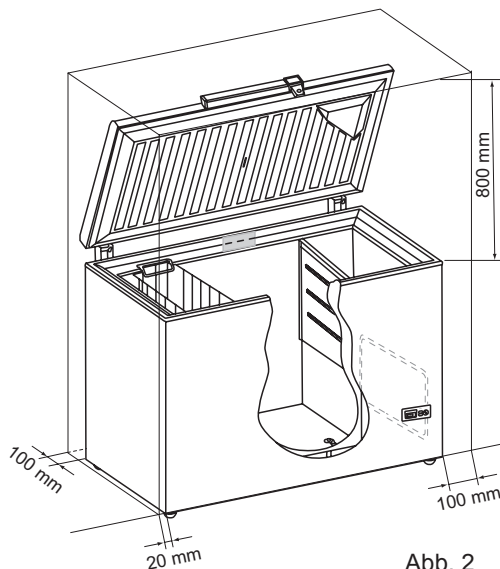


Abb. 2

Zwischen dem Geräteboden und der Unterlage muss der Abstand mindestens 15 mm betragen.

WICHTIG! Der Belüftungsrast muss frei zugänglich sein (Abb. 3).

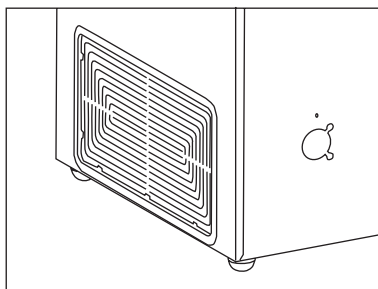


Abb. 3

Elektrischer Anschluss

Das Gefriergerät ist zum Anschluss an das Wechselstromnetz bestimmt. Die Werte für Spannung (V) und Frequenz (Hz) sind auf dem Typenschild an der Geräterückseite angegeben. Das Gerät ist allein an eine eigene Steckdose anzuschließen.

Bei Beschädigung des Netzkabels ist es durch ein gleichwertiges Teil zu ersetzen, das vom Hersteller oder dessen Vertreter geliefert wird.

Technische Daten

Dieses Gerät entspricht den Regelungen zur CE Kennzeichnung sowie den einschlägigen Richtlinien und Normen.

Niederspannungsrichtlinie 73/23/EEC.
EMV Richtlinie 89/336/EEC.

Energiekennzeichnungsrichtlinie 92/75 einschließlich deren Ergänzungen 94/2 und 2003/66.

Energieeffektivitätsrichtlinie 96/57 und ihren Ergänzungen.

Bedienung und Funktion

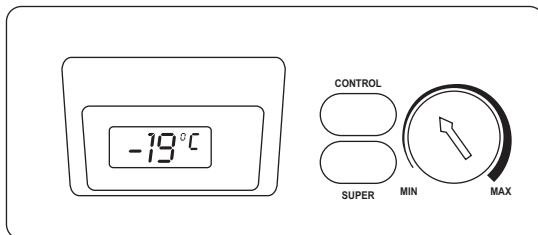


Abb. 4

Mechanische Steuerung

Die Bedienelemente bestehen aus einem Thermostatknopf (Abb. 4), zwei Kontroll-Leuchten und einem Schalter. In der Konstruktion der Bedienelemente und der Platzierung der Leuchten sind leichte Abweichungen möglich. Die grüne Leuchte zeigt die ordnungsgemäße Versorgungsspannung an.

Die gelbe Leuchte zeigt den Schnellgefrierbetrieb an (siehe Schnellgefrieren).

Inbetriebnahme

Die Gefriertruhe an die Steckdose anschließen. Die grüne Leuchte zeigt an, dass die Versorgungsspannung anliegt. Die rote Leuchte auf dem Bedienungsfeld leuchtet, weil die Temperatur im Gerät noch zu hoch ist.

Temperatureinstellung

Die Temperatur wird durch Drehen des Thermostatknopfes von MIN auf MAX gewählt. Wir empfehlen dazu eine Münze. Je weiter der Einstellknopf des Thermostats in Richtung auf MAX gedreht wird, desto niedriger wird die Temperatur. Zur Kontrolle der korrekten Einstellung ist die Temperatur

des oberen Gefriergutpäckchens in der Gerätemitte zu messen. Sie darf nicht höher sein als -18 °C .

Schnellgefrieren

Beim Einfrieren von mehr als 3 kg ist folgendermaßen zu verfahren:

1. Schnellgefrierknopf drücken (gelbe Leuchte leuchtet). Das Gefriergerät arbeitet nun mit höchster Leistung (der Kompressor läuft ständig).
2. Die Schnellgefrierfunktion bereits 24 Stunden vor dem Einlegen der neuen Waren einschalten.
3. Das neue Gefriergut in die Truhe legen und die Schnellgefrierfunktion weitere 24 Stunden lang verwenden.
4. Danach den Knopf heraus drücken (die gelbe Leuchte erlischt).

Gebrauch

Gefriergerät

Die Geriertruhe ist ein 4-Sterne-Gefrierer, der zum Gefrieren und Tiefkühlagern von Lebensmitteln zugelassen ist.

Gefrieren

Um die Qualität der Lebensmittel zu erhalten, müssen sie möglichst schnell auf $-18\text{ }^{\circ}\text{C}$ tiefgekühlt werden.

Die Leistung des Gefriergeräts ist auf dem Typenschild in kg/24 Stunden angegeben (siehe Abb. 1, Seite 3 und Abb. 10, Seite 16)

Mit eingeschalteter Schnellgefrierfunktion sinkt die Temperatur während des Gefriervorgangs auf $-25\text{ }^{\circ}\text{C}$. Sollen mehr als 3 kg Waren eingefroren werden, ist der Schnellgefrierknopf ca. 24 Stunden vorher zu aktivieren.

Bei kleineren Mengen genügt es, die Schnellgefrierfunktion ein paar Stunden vor oder beim Einlegen der frischen Waren einzuschalten.

Wenn bereits tiefgekühlte Lebensmittel in das Gerät gelegt werden, oder wenn es sich um sehr kleine Portionen frischer Ware handelt, braucht die Schnellgefrierfunktion nicht eingesetzt zu werden.

Verwenden Sie nur frische Lebensmittel guter Qualität. Fleisch, Geflügel, Fisch, Gemüse, Obst, Molkereiprodukte und fertig zubereitete Mahlzeiten eignen sich zur Tiefkühlagerung. Lebensmittel mit hohem Wassergehalt, wie z.B. Salat, Radieschen, Pampelmusen, ganze Äpfel, Gurken und Birnen sind nicht zum Gefrieren geeignet. Verpacken Sie die Waren luftdicht in Behälter, Gefrierbeutel o.ä. Die Portionen sollten eine praktische Größe haben. Gefrieren Sie Gemüse oder Fleisch nicht in Portionen über 2,5 kg. Halten Sie die Pakete trocken, damit sie nicht aneinander festfrieren. Frische Gefriergutpakete

sollten sich möglichst nicht berühren, dann beschleunigt sich der Gefriervorgang. Drücken Sie die Luft aus den Paketen, damit die Lebensmitteloberfläche nicht austrocknet.

Zu gefrierende Ware sollten im Gefrierraum oder an den Innenwänden der Gefriertruhe, gleichmäßig verteilt, gelagert werden. Schreiben Sie stets Inhalt, Menge und Datum auf die Pakete. Es empfiehlt sich, die Lebensmittel nach Kategorien zu sortieren. Das heißt, Gemüse zusammen an einer Stelle, Fleisch an einer anderen usw.

Lebensmittel dürfen nicht höher als 5 mm unter den Deckel der Truhe gestapelt werden.

In den Körben aufbewahrte Lebensmittel sind sichtbar und leicht zugänglich (Abb. 6).



Abb. 6

Auftauen

Tiefgekühltes Obst und Gemüse sollte vor dem Verbrauch nicht aufgetaut sondern direkt in kochendes Wasser gegeben werden.

Fleisch sollte einen Tag vor der Zubereitung zum langsamen Auftauen in den Kühlschrank gelegt werden. Das ergibt die beste Hygiene, und die Fleischqualität bleibt am besten erhalten.

Anmerkung

Glasflaschen und Dosen mit Flüssigkeit, die Kohlensäure enthalten, dürfen nicht tiefgefroren werden, da sie platzen können.

Abtauen

Das Gefriergut und die Luftfeuchtigkeit verursachen mit der Zeit Reif und Eis im Innern der Gefriertruhe. Eine dünne Reif- oder Eisschicht setzt die Leistung des Geräts nicht herab, aber mit zunehmender Stärke des Belags erhöht sich der Energieverbrauch. Etwas loser Reif lässt sich mit einem Kunststoffschaber entfernen.

Niemals elektrische Geräte oder scharfe Werkzeuge zum Entfernen von Reif/Eis verwenden, da sie das Truheninnere beschädigen können.

Erreicht die Reif- oder Eisschicht 4-5 mm Stärke, muss das Gerät abgetaut werden. Wir empfehlen, das Gefriergerät abzutauen, wenn nur wenige Waren darin gelagert sind.

Gehen Sie folgendermaßen vor:

1. Drücken Sie den Schnellgefrierknopf 4-5 Stunden vor dem geplanten Abtauen. Dadurch ist das Gefriergut kälter (ca. -25 °C) und hält sich außerhalb des Gefriergeräts länger (siehe Punkt 3).
2. Strom ausschalten.
3. Gefriergut aus dem Gerät räumen. Gefriergut im Kühlschrank, oder gut verpackt zwischenlagern, um ein Auftauen möglichst zu vermeiden.
4. Deckel offen lassen.
5. Trennwand unter Tauwasserablauf legen.
6. Eine Schüssel mit warmem (nicht kochendem) Wasser in das Gerät stellen und den Deckel schließen. Ca. 30 Minuten warten und die Reifschicht dann mit dem Kunststoffschaber entfernen.
7. Um während des Abtauvorgangs Wasser auf dem Fußboden zu vermeiden, ist die Tauwasserschale

regelmäßig zu kontrollieren. Der Boden um den Tauwasserablauf herum sollte abgedeckt werden, um ihn gegen Eis und Wasserspritzer zu schützen. Nachdem das Eis getaut ist, das Gefriergerät mit einer schwachen Lösung aus Wasser und unparfümiertem Spülmittel reinigen. Mit einem trockenen Tuch nachwischen.

8. Versorgungsspannung anschließen. Ist viel Gefriergut in den Schrank einzulegen, kann die Schnellgefrierfunktion zugeschaltet werden.
9. Das Gefriergut kann ca. fünf Minuten nach dem Wiedereinschalten des Geräts eingeräumt werden.

Nicht vergessen, den Tauwasserablauf wieder mit dem Stopfen zu verschließen.

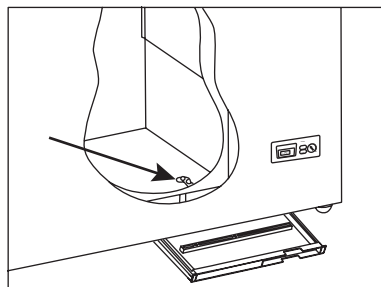


Abb. 8

Reinigung und Wartung

Reinigung

Vor der Reinigung ist der Netzstecker zu ziehen und das lose Zubehör aus dem Gerät zu entfernen.

Eine Mischung aus warmem Wasser und unparfümiertem Spülmittel (max. 65 °C) ist dazu am besten zur Reinigung geeignet. Verwenden Sie keine Reinigungsmittel, die Kratzer verursachen können. Verwenden Sie ein weiches Tuch. Mit klarem Wasser nachwischen und gut abtrocknen. Es darf kein Wasser in die Bedienelemente gelangen.

Die Deckeldichtleiste muss regelmäßig gereinigt werden, um Verfärbungen zu vermeiden und lange Haltbarkeit zu gewährleisten. Klares Wasser verwenden. Nach der Reinigung der Dichtleiste prüfen, ob sie dicht schließt.

Den Lüftungsrost frei von Staub und Schmutz halten. Zur Reinigung des Rosts einen Staubsauger verwenden.

Bei längerer Abwesenheit, den Netzstecker ziehen und die Gefriertruhe ausräumen und reinigen. Den Deckel nicht schließen, um Geruchsbildung zu vermeiden.

Austausch der Lampe

1. Netzstecker ziehen.
2. Lampenschirm abnehmen (Abb. 9). Den Schirm zusammendrücken, sodass er sich von den beiden Klipps löst.
3. Glühlampe(n) austauschen.
4. Lampenschirm wieder anbringen und Versorgungsspannung anschließen.

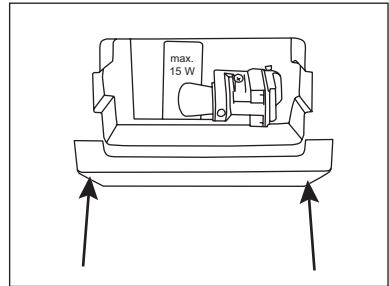


Abb. 9

Sparen Sie Energie

- warme Speisen und Getränke vor dem Einfrieren abkühlen.
- Lassen Sie Gefriergut im Kühlschrank auftauen.
- Deckel möglichst geschlossen halten.
- regelmäßig prüfen, dass der Deckel dicht schließt.
- die Gefriertruhe in einem kühlen (max. 5 °C), gut belüfteten Raum aufstellen.
- das Gefriergut während des Abtauvorgangs im Kühlschrank lagern.
- Gefriergerät abtauen, bevor die Eisschicht zu dick wird.

Fehlersuche

Fehler	Mögliche Ursache	Abhilfe
Keine Kontrolllampe leuchtet.	Das Gerät ist ausgeschaltet. Stromausfall; Sicherung hat angesprochen; Netzstecker nicht richtig eingesteckt.	Stecker und Schalter prüfen. Prüfen, ob der Strom angeschlossen ist. Die Sicherung muss intakt/ eingeschaltet sein.
Die Temperatur im Gefrierraum ist zu hoch.	Der Belüftungsrost ist blockiert. Der Deckel der Gefriertruhe ist nicht ordnungsgemäß geschlossen. Es wurde mehr neues Gefriergut in das Gerät gelegt, als gleichzeitig eingefroren werden kann. Starke Reif- und Eisschicht. Thermostat zu warm eingestellt.	Für unbehinderte Luftzirkulation sorgen. Deckel schließen und einige Stunden lang warten. Einige Stunden warten. Gefriergerät abtauen. Thermostat auf niedrigere Temperatur einstellen.
Temperatur im Gefriergerät zu niedrig.	Schnellgefrierfunktion ist eingeschaltet. Thermostat zu kalt eingestellt. Deckel liegt auf Gefriergut auf.	Schnellgefrierfunktion ausschalten. Thermostat auf höhere Temperatur einstellen. Gefriergut umlagern und prüfen, ob der Deckel nun dicht schließt.
Gefriergerät setzt schnell Reif an.	Der Raum ist sehr feucht. Das Gefriergut gibt Feuchtigkeit ab.	Häufig lüften oder Gerät in einem anderen, trockeneren Raum aufstellen. Gefriergut umpacken.
Deckel lässt sich nicht öffnen.	Unterdruck im Gefriergerät.	2-3 Minuten warten, bis der Unterdruck abgebaut ist, dann erneut versuchen.
Vibrationen und ungewöhnliche Geräusche.	Das Gerät steht nicht auf einer ebenen Unterlage. Das Gerät steht nicht frei. Körbe oder Trennwand sind locker.	Gerät auf eine ebene, waagerechte und feste Unterlage stellen. Gerät von Möbeln oder anderen Geräten abrücken. Die beweglichen Teile prüfen und wieder einsetzen.

Ersatzteile

Ersatzteile

Bitte bei der Ersatzteilbestellung Typ- und Seriennummer sowie Produktionsnummer angeben (siehe Abb. 1, Seite 3 und Abb. 10). Diese Angaben finden Sie auf dem Typenschild an der Geräterückseite. Das Typenschild enthält verschiedene technische Angaben, u.a. auch Typ- und Seriennummer.

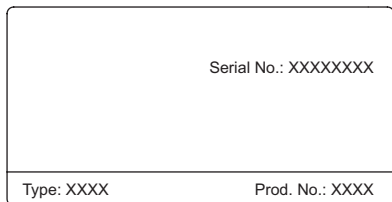


Abb. 10

Denken Sie daran! Stets nur autorisierte Handwerker beauftragen, wenn ein Teil repariert oder ausgewechselt werden muss!

Entsorgung

Beachten Sie in jedem Fall die jeweils geltenden Umweltschutzbestimmungen. Bei Ihrem zuständigen Stadtreinigungsamt können Sie erfahren, wie Abtransport und Wiederverwertung dieser Geräte in Ihrer Gemeinde gehandhabt werden.


Verwertung und Wiederverwendung dieses Produkts zu erhalten.

In Übereinstimmung mit den Anforderungen der Europäischen Richtlinie 2002/96/EG über Elektro- und Elektronik-Altgeräte (WEEE) ist vorliegendes Gerät mit einer Markierung versehen.

Sie leisten einen positiven Beitrag für den Schutz der Umwelt und die Gesundheit des Menschen, wenn Sie dieses Gerät einer gesonderten Abfallsammlung zuführen. Im unsortierten Siedlungsmüll könnte ein solches Gerät durch unsachgemäße Entsorgung negative Konsequenzen nach sich ziehen.

Auf dem Produkt oder der beiliegenden Produktdokumentation ist



folgendes Symbol  einer durchgestrichenen Abfalltonne abgebildet. Es weist darauf hin, dass eine Entsorgung im normalen Haushaltsabfall nicht zulässig ist. Entsorgen Sie dieses Produkt im Recyclinghof mit einer getrennten Sammlung für Elektro- und Elektronikgeräte.

Die Entsorgung muss gemäß den örtlichen Bestimmungen zur Abfallbeseitigung erfolgen.

Bitte wenden Sie sich an die zuständigen Behörden Ihrer Gemeindeverwaltung, an den lokalen Recyclinghof für Haushaltsmüll oder an den Händler, bei dem Sie dieses Gerät erworben haben, um weitere Informationen über Behandlung,

Avant la mise en service

Avant de mettre en service votre nouvel appareil, veuillez lire attentivement les instructions suivantes : elles renferment des informations importantes concernant la sécurité, l'installation, le fonctionnement et l'entretien. Conserver ce mode d'emploi en lieu sûr : vous pourrez en avoir besoin ultérieurement.

À réception, contrôler que l'appareil n'est pas endommagé. Les dommages dus au transport doivent être notifiés à votre fournisseur avant toute utilisation de votre congélateur.

Enlever l'emballage. Nettoyer l'intérieur de l'appareil à l'eau tiède additionnée de produit à vaisselle non-agressif sans parfum. Rincer à l'eau claire et essuyer à fond (voir chapitre nettoyage). Utiliser un chiffon doux.

Si le congélateur a été stocké en environnement froid (au-dessous de +5°C), il lui faudra une période d'adaptation d'au moins 1 heure avant sa mise en marche. Si le congélateur a été transporté sur chant, le laisser 12 heures en position normale avant de le mettre en circuit.

Mise en garde

Le réfrigérant utilisé dans cet appareil étant un gaz inflammable (isobutane R600a), prendre garde à ne pas détériorer les tubes du circuit frigorifique lors du transport et de l'installation.

En cas de fuite accidentelle de réfrigérant, éviter toute étincelle et toute flamme nue, aérer largement le local, couper l'alimentation électrique et prendre contact avec votre fournisseur.

L'appareil doit uniquement être entretenu par des techniciens qualifiés appartenant à un centre de service après-vente agréé.

Votre ancien appareil

Les anciens réfrigérateurs et congélateurs sont souvent équipés de mécanismes de fermeture compliqués qui peuvent uniquement être ouverts de l'extérieur.

Avant de stocker votre ancien appareil ou de vous en débarrasser, toujours penser à détruire ce mécanisme, afin d'éviter que les enfants en jouant puissent rester enfermés à l'intérieur de l'appareil au péril de leur vie.

Sommaire

Faites connaissance avec votre congélateur coffre.....	3
Mise en service et installation.....	4
Raccordement électrique.....	5
Utilisation et fonctionnement.....	6
Conseils d'utilisation.....	7
Dégivrage.....	8
Nettoyage et entretien.....	9
Recherche des pannes éventuelles.....	10
Garantie, pièces de rechange et service après-vente....	11
Mise au rebut.....	12

Faites connaissance avec votre congélateur coffre

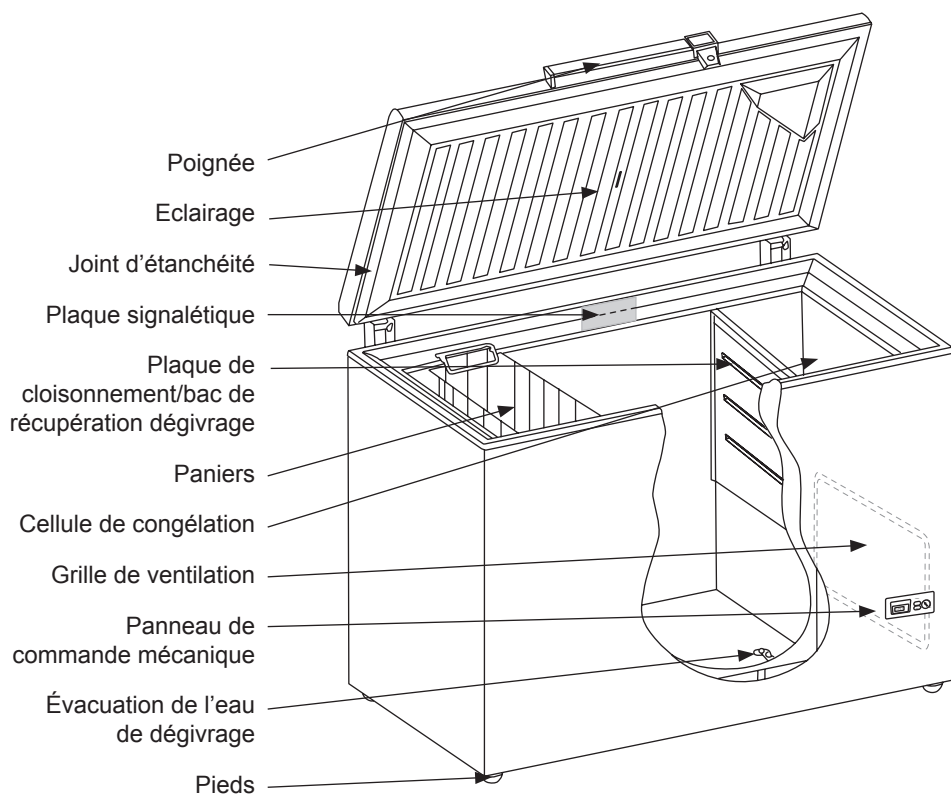


fig. 1

Mise en service et installation

Mise en place

Pour des raisons de sécurité et de fonctionnement, l'appareil ne doit pas être placé à l'extérieur.

Placer l'appareil bien à l'horizontale sur un sol plan et stable, dans un local sec et bien ventilé (max. 75% d'humidité relative).

Ne jamais placer l'appareil près de sources de chaleur telles que cuisinières ou radiateurs, et éviter de le placer au rayonnement direct du soleil ou près d'une autre source de chaleur.

Température ambiante

La classe climatique est indiquée sur la plaque signalétique (voir fig. 1 page 3 et fig. 10 page 12). Elle indique dans quelle plage de température ambiante le congélateur fonctionne de façon optimale.

Classe climatique	Température ambiante autorisée
SN	+10 °C à +32 °C
N	+16 °C à +32 °C
ST	+18 °C à +38 °C
T	+18 °C à +43 °C

Si la température ambiante se situe au-dessous de zéro, le congélateur ne fonctionnera pas normalement.

Ventilation

Il est important que l'appareil soit bien ventilé et que l'air puisse circuler librement au-dessus, en dessous et autour de l'appareil. La figure 2 montre comment assurer la circulation d'air nécessaire autour de le congélateur.

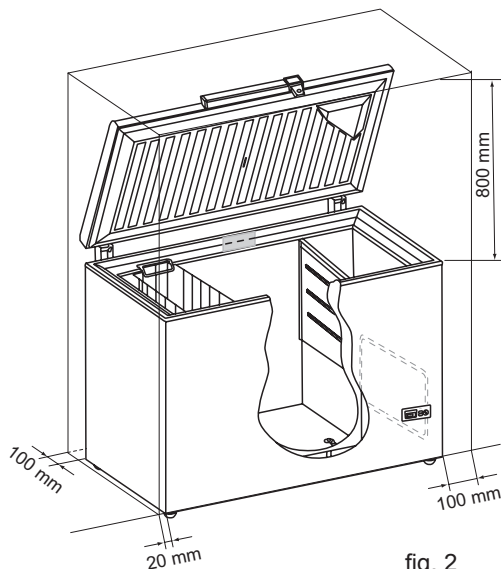


fig. 2

L'espace entre le sol et le fond de l'appareil doit être de 15 mm.

IMPORTANT! Il faut laisser un libre accès à la grille de ventilation (fig. 3).

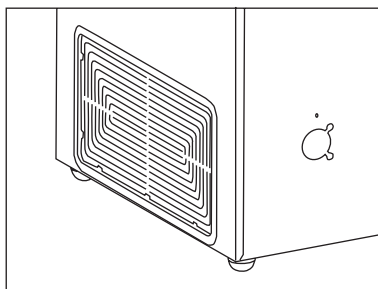


fig. 3

Raccordement électrique

L'appareil est conçu pour le courant alternatif. La tension (V) et la fréquence (Hz) sont indiquées sur la plaque signalétique fixée au fond de l'appareil. Le raccordement doit se faire sur une prise réservée à l'appareil.

Si le câble d'alimentation est endommagé, il doit être remplacé par un câble de même type fourni par le fabricant ou par son représentant assurant le service après-vente.

Caractéristiques techniques

Cet appareil est conforme aux règlements, aux directives et aux normes de marquage CE.

Directive basse tension 73/23/CEE.

Directive CEM 89/336/CEE.

Directive 92/75 concernant l'indication de la consommation des appareils domestiques en énergie et ses modifications ultérieures 94/2 et 2003/66.

Directive 96/57 concernant les exigences en matière de rendement énergétique et ses modifications ultérieures.

Utilisation et fonctionnement

Le congélateur coffre SZ est muni d'une commande soit mécanique (fig. 4)

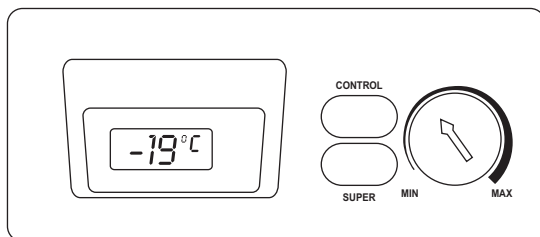


fig. 4

Commande mécanique

Le bandeau de commande comprend, en plus du bouton de thermostat (fig. 4) deux lampes témoins et un interrupteur. Le design des bandeaux et l'emplacement des lampes peut varier légèrement.

Le témoin vert s'allume quand l'alimentation électrique est correcte.

Le témoin jaune s'allume quand la touche Supercongélation est enfoncée (voir Supercongélation).

Mise en marche

Brancher l'appareil. Le témoin vert s'allume, signe que le courant passe. Le témoin rouge du bandeau de commande s'allume parce que la température dans le congélateur n'est pas encore suffisamment descendue.

Réglage de la température

Pour régler la température, tourner le bouton du thermostat de MIN à MAX (le plus froid). L'opération est facile avec une pièce de monnaie. Plus le bouton du thermostat s'approche de MAX, plus la température descend. Pour atteindre le bon réglage, mesurer la température du paquet placé le plus haut au milieu de

le congélateur. Celle-ci ne doit pas être supérieure à -18°C .

Supercongélation

Pour congeler plus de 3 kilos, procéder comme suit:

1. Appuyer sur la touche Supercongélation (le témoin jaune s'allume). Le congélateur travaille alors à plein régime (le compresseur tourne sans interruption).
2. Activer Supercongélation 24 heures avant l'apport de nouvelles marchandises dans le congélateur.
3. Déposer les marchandises dans le congélateur et continuer sur Supercongélation pendant 24 heures.
4. Relâcher ensuite le bouton (le témoin jaune s'éteint).

Conseils d'utilisation

Congélateur

L'appareil est un congélateur quatre étoiles destiné à la congélation et la conservation des denrées alimentaires.

Congélation

Afin de conserver toutes leurs qualités aux produits alimentaires, ces derniers doivent être congelés à $-18\text{ }^{\circ}\text{C}$ le plus rapidement possible.

La capacité de congélation de l'appareil est indiquée sur l'écusson signalétique en kg/24 heures (voir fig. 1 page 3 et fig. 10 page 16).

Lorsque le bouton supercongélation est enfoncé, la température de congélation est abaissée à $-25\text{ }^{\circ}\text{C}$. En cas de congélation de plus de 3 kg de denrées, le bouton de supercongélation doit être activé environ 24 heures à l'avance.

Pour les quantités plus réduites, il est suffisant de l'activer quelques heures à l'avance ou en plaçant les produits dans le congélateur.

Il n'est pas nécessaire d'activer le bouton de supercongélation pour les produits déjà congelés ou en cas de congélation de faibles quantités de denrées alimentaires.

Utiliser uniquement des produits alimentaires de bonne qualité. La viande, la volaille, le poisson, les légumes, les fruits, les produits laitiers et les plats cuisinés sont parfaitement adaptés à la congélation. Les denrées à haute concentration d'eau, telles que salades, radis, pamplemousses, pommes, concombres et poires, sont mal adaptées à la congélation.

Emballer les produits dans des récipients étanches à l'air, des sacs de congélation, etc. Adapter la taille des portions à leur utilisation. Ne pas congeler les légumes ou la viande en portions d'un poids supérieur à 2,5 kg. Éviter toute humidité des sacs et sachets pour empêcher qu'ils ne « collent »

ensemble. Placer les produits de telle façon qu'ils soient le moins possible en contact les uns avec les autres, afin d'accélérer leur congélation. Évacuer l'air contenu dans les emballages pour éviter le dessèchement de la surface des produits.

Placer les marchandises à congeler dans le module de congélation ou bien régulièrement le long des parois de la cuve. Ne pas oublier de noter le contenu, la quantité et la date sur chaque emballage. Il est conseillé de répartir les différents produits en catégories. C'est-à-dire qu'il vaut mieux regrouper légumes avec légumes, viande avec viande, etc.

Laisser au moins 5 mm d'espace sous le couvercle en empilant les produits.

Les marchandises conservées dans les paniers sont bien visibles et accessibles (fig. 6).



fig. 6

Décongélation

Les fruits et légumes congelés ne doivent pas être décongelés avant utilisation, mais plongés directement dans l'eau bouillante. En ce qui concerne la viande, il est préférable de la sortir du congélateur la veille de son utilisation et de la placer pour décongélation dans le réfrigérateur : on obtient ainsi une hygiène optimale et une conservation parfaite de la qualité de la viande.

Remarque

Les aérosols et les boîtes contenant un liquide dans lequel est dissous du gaz carbonique ne doivent pas être congelés pour cause de risque d'explosion.

Dégivrage

L'humidité apportée par les produits et par l'air ambiant entraîne au fil du temps la formation de givre et de glace dans l'appareil. Une mince couche de givre ou de glace n'a pas d'influence sur le fonctionnement du congélateur, mais plus la couche devient épaisse, plus la consommation d'énergie augmente. Une mince couche de glace peut être enlevée à l'aide d'un racleur en matière plastique

Ne jamais utiliser d'appareil électrique ou d'objet pointu qui risqueraient d'endommager l'intérieur de l'appareil.

Lorsque la couche de givre ou de glace atteint une épaisseur de 4 à 5 mm, le congélateur doit être dégivré. Il est recommandé de procéder au dégivrage au moment où le congélateur est presque ou complètement vide.

Procéder de la façon suivante :

1. Appuyer sur le bouton Supercongélation quatre à cinq heures environ avant le moment souhaité pour le dégivrage. De cette façon, les produits congelés seront plus froids (environ -25°C) et pourront ainsi être tenus plus longtemps hors du congélateur (voir point 3).
2. Couper le courant.
3. Sortir les produits congelés. Les maintenir au réfrigérateur ou bien emballés de façon à limiter le plus possible la décongélation.
4. Laisser le couvercle ouvert.
5. Placer la cloison sous le bec du conduit de dégivrage.
6. Placer un récipient d'eau chaude (non bouillante) dans le congélateur, fermer le couvercle et attendre environ 30 minutes, puis enlever le givre avec un

grattoir en plastique.

7. Pour éviter un débordement d'eau sur le sol pendant le dégivrage, surveiller le bac de recueil de l'eau. Il faut couvrir le sol autour du bec d'écoulement de l'eau de dégivrage pour le protéger contre la glace et les éclaboussures. Lorsque toute la glace a fondu, nettoyer le congélateur à l'aide de produit à vaisselle sans parfum largement dilué dans l'eau. Essuyer avec un chiffon doux.
8. Remettre le courant. Si la quantité de produits congelés qui doit être remplacée dans le congélateur est importante, appuyer sur le bouton Supercongélation.
9. Attendre environ cinq minutes après avoir rallumé l'appareil avant d'y replacer les produits congelés.

Ne pas oublier de replacer le bouchon sur le conduit d'évacuation de l'eau de décongélation.

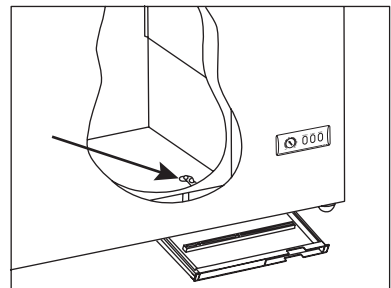


fig. 8

Nettoyage et entretien

Nettoyage

Avant le nettoyage, enlever la fiche et tous les éléments non fixés.

Utiliser de préférence de l'eau tiède additionnée d'un peu de produit à vaisselle sans parfum (max. 65 °C). Ne jamais utiliser de produits de nettoyage abrasifs. Utiliser un chiffon doux. Rincer à l'eau claire et essuyer à fond. Éviter de faire pénétrer de l'eau dans le panneau de contrôle.

Le joint d'étanchéité du couvercle nécessite un nettoyage régulier afin d'éviter qu'il ne se décolore et pour garantir sa longévité. Utiliser de l'eau claire. Après nettoyage du joint d'étanchéité du couvercle, contrôler qu'il assure toujours son rôle.

La grille de ventilation doit être propre. La nettoyer avec un aspirateur.

En cas d'absence prolongée, débrancher, vider et nettoyer l'appareil et laisser le couvercle ouvert pour éviter la création de mauvaises odeurs.

Changement d'ampoule

1. Couper le courant et débrancher.
2. Démonter l'écran d'éclairage (fig. 9).
Presser l'écran d'éclairage pour le faire sortir des deux attaches.
3. Remplacer l' (les) ampoule(s).
4. Remettre l'écran et le courant.

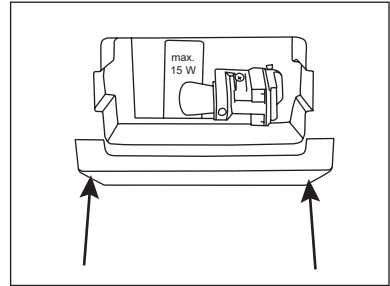


fig. 9

Pour économiser l'énergie

- Refroidir les boissons et les aliments chauds avant de les placer dans le congélateur.
- Décongeler les produits congelés dans le réfrigérateur.
- Tenir autant que possible le couvercle fermée.
- Contrôler régulièrement l'étanchéité du couvercle
- Placer le congélateur dans un endroit frais (min. 5 °C) et bien ventilé.
- Placer les aliments congelés dans le réfrigérateur pendant le dégivrage du congélateur.
- Dégivrer avant que la couche de glace ne soit trop épaisse.

Recherche de pannes éventuelles

Panne	Cause possible	Remède
Aucune lampe de contrôle n'est allumée.	L'appareil est éteint. Panne de courant ; fusible grillé ou disjoncteur déclenché ; prise mal enfoncée.	Contrôler la fiche et la prise. Contrôler l'alimentation électrique. Contrôler le fusible ou le disjoncteur.
La température dans le congélateur est trop élevée.	La grille de ventilation est bloquée. Le couvercle de l'appareil est mal fermé. Une quantité trop importante de produits à congeler a été placée en même temps dans le congélateur. Trop de givre et de glace. Le thermostat est réglé sur trop chaud.	Veiller à la libre circulation de l'air. Fermer le couvercle et attendre quelques heures. Attendre quelques heures. Dégivrer l'appareil. Régler le thermostat sur une température plus basse.
La température dans le congélateur est trop bas.	La fonction Supercongélation est activée. Le thermostat est réglé sur une température trop froide. Le couvercle touche des aliments dans le congélateur.	Arrêter la fonction Supercongélation. Régler le thermostat sur une température plus haute. Déplacer les aliments et s'assurer que le couvercle ferme bien.
L'appareil produit beaucoup de givre.	Le local est très humide. Les aliments dégagent de l'humidité.	Aérer fréquemment ou transporter le congélateur dans un local moins humide. Revoir l'emballage des aliments.
Le couvercle ne s'ouvre pas.	Sous-pression dans l'appareil.	Attendre 2 ou 3 minutes jusqu'à ce que la sous-pression ait disparu et essayer de nouveau.
Vibrations et bruits insolites.	L'appareil n'est pas posé sur une surface plane. L'appareil manque d'espace. Les paniers ou la cloison ne sont pas fixés.	Placer le congélateur sur un sol plan, stable et horizontal. Dégager le congélateur des meubles et appareils qui le gênent. Vérifier la stabilité des objets non fixés.

Pièces de rechange

Pièces de rechange

Lors de la commande de pièces de rechange, indiquer le type, le numéro de série et de production (voir fig. 1 page 3 et fig. 10). Ces renseignements se trouvent sur l'écusson signalétique au dos de l'appareil. La plaque signalétique renferme plusieurs informations techniques, ainsi que les numéros de type et de série de l'appareil.

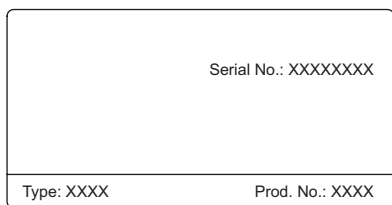


fig. 10

TOUJOURS faire appel à des services agréés en cas de réparation ou de remplacement !


Mise au rebut

Observer également les règlements environnementaux en vigueur. Adressez-vous aux services compétents de votre commune pour savoir comment la collecte et le recyclage de ce type d'appareil se déroulent dans votre commune.

Cet appareil porte le symbole du recyclage conformément à la Directive Européenne 2002/96/CE concernant les Déchets d'Équipements Électriques et Électroniques (DEEE ou WEEE).

En procédant correctement à la mise au rebut de cet appareil, vous contribuerez à empêcher toute conséquence nuisible pour l'environnement et la santé de l'homme.



Le symbole  présent sur l'appareil ou sur la documentation qui l'accompagne indique que ce produit ne peut en aucun cas être traité comme déchet ménager. Il doit par conséquent être remis à un centre de collecte des déchets chargé du recyclage des équipements électriques et électroniques.

Pour la mise au rebut, respectez les normes relatives à l'élimination des déchets en vigueur dans le pays d'installation. Pour obtenir de plus amples détails au sujet du traitement, de la récupération et du recyclage de cet appareil, veuillez vous adresser au bureau compétent de votre commune, à la société de collecte des déchets ou directement à votre revendeur.

Inden brug

Inden du anvender dit nye apparat bør du læse brugsanvisningen grundigt. Brugsanvisningen indeholder vigtige informationer vedrørende sikkerhed, intallation, drift og vedligeholdelse. Gem brugsanvisningen. Du kan få brug for den på et senere tidspunkt.

Kontroller at apparatet ikke er beskadiget ved modtagelsen. Transportskader skal anmeldes til forhandleren inden fryseboksen tages i brug.

Fjern emballagen. Rengør apparatet indvendigt med lunken vand tilsat et mildt uparumeret opvaskemiddel. Afvask med rent vand og tør grundigt af (se rengøring). Brug en blød klud.

Hvis fryseren har stået på lager i kolde omgivelser (koldere end +5°C), skal den have en hvileperiode på mindst 1 time, inden den tages i brug.

Hvis fryseren har været transporteret på højkant bør den stå i normal stilling i ca. et halvt døgn før den tilsluttes.

Advarsel

Da kølemidlet som anvendes i apparatet er en brandbar gasart (Isobutane R600a) bør man være ekstra opmærksom på at kredsløb og rør ikke bliver beskadiget under transport og installation.

Skulle det ske undgå da gnister eller åben ild, sørg for udluftning i rummet, afbryd strømmen, hvis den er sat til og kontakt din leverandør.

Servicering må kun foretages af et kvalificeret servicecenter.

Gamle apparater

Gamle køleskabe og fryserer er ofte udstyret med komplicerede smæklåse som kun kan åbnes udefra. Hvis du har en sådan model stående eller kasserer den, så husk at ødelægge låsen først. Således forhindrer du, at legende børn bliver indespærret og kommer i livsfare.

Indhold

Lær fryseboksen at kende.....	3
Ibrugtagning og installation.....	4
El-tilslutning.....	5
Betjening og funktion.....	6
Anvendelse.....	7
Afrimning.....	8
Rengøring og vedligeholdelse.....	9
Fejlfindingsliste.....	10
Reservedele.....	11
Bortskaffelse.....	12

Lær fryseboksen at kende

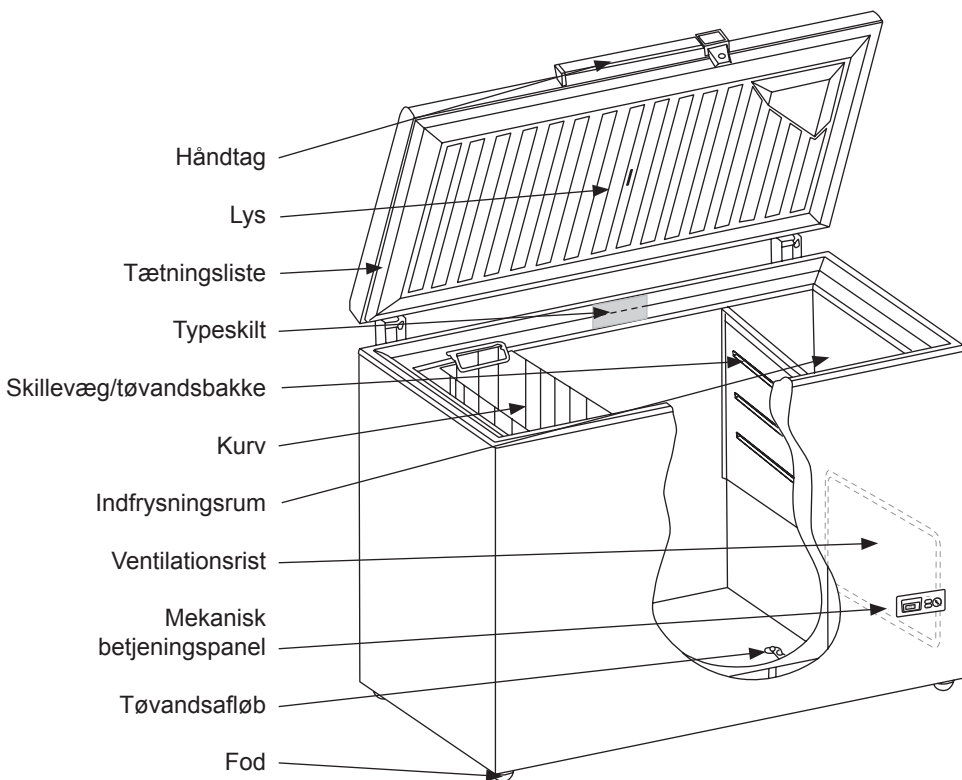


fig. 1

Ibrugtagning og installation

Placering

Af sikkerhedsmæssige og driftsmæssige grunde må apparatet ikke placeres udendørs.

Stil fryseboksen på et plant, vandret og stabilt underlag i et tørt og godt ventileret rum (max. 75% relativ luftfugtighed).

Anbring ikke fryseboksen tæt på varmekilder såsom komfur eller radiator og undgå at det udsættes for direkte sollys eller varme fra anden varmekilde.

Rumtemperaturen

Klimaklassen står på typeskiltet (se fig. 1 side 3 og fig. 10 side 12). Den angiver indenfor hvilke rumtemperaturer fryseboksen kører optimalt.

Klimaklasse	Tilladt rumtemperatur
SN	+10 °C til +32 °C
N	+16 °C til +32 °C
ST	+18 °C til +38 °C
T	+18 °C til +43 °C

Hvis rumtemperaturen er under frysepunktet vil fryseren ikke fungere normalt.

Ventilation

Det er vigtigt, at apparatet får tilstrækkelig ventilation og at der er uhindret luftcirkulation over, under og omkring det. Figur 2 viser, hvordan du sikrer den nødvendige cirkulation omkring fryseren.

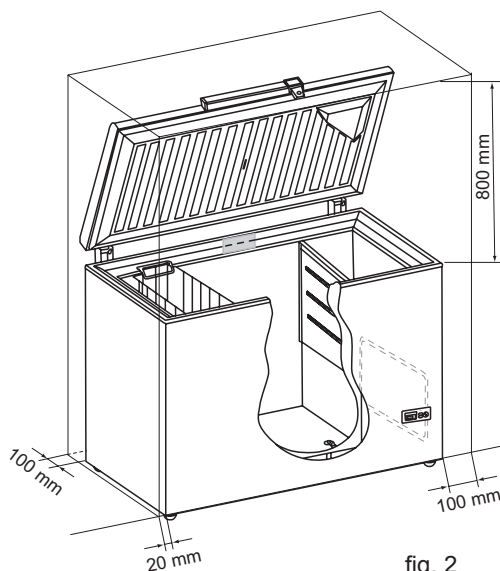


fig. 2

Mellem fryserens bund og gulvet skal der være et mellemrum på 15 mm.

VIGTIGT! Der skal være fri adgang til ventilationsristen (fig. 3).

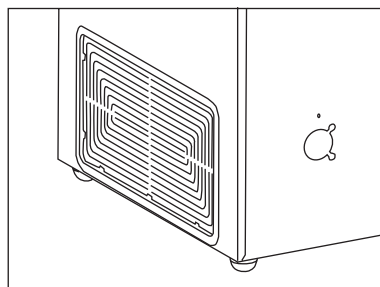


fig. 3

El-tilslutning

Fryseren er beregnet for tilslutning til vekselstrøm. Tilslutningsværdierne for spænding (V) og frekvens (Hz) er vist på typeskiltet bag på apparatet. Tilslutning skal ske til en selvstændig stikkontakt.

Ekstrabeskyttelse

Ifølge stærkstrømsbekendtgørelsen skal apparatet ekstrabeskyttes. Dette gælder også, selv om der er tale om udskiftning af en eksisterende model, der ikke har været ekstrabeskyttet.

Formålet med ekstrabeskyttelsen er at beskytte brugere mod farlige elektriske stød i tilfælde af fejl.

I boliger opført efter 1. april 1975, vil alle stikkontakter i køkken og eventuelt bryggers være omfattet af en ekstrabeskyttelse.

I boliger opført før 1. april 1975, er ekstrabeskyttelsen i orden, hvis der er installeret HFI-afbryder, som beskytter den stikkontakt, apparatet skal forbindes til.

I begge tilfælde skal der:

- hvis stikkontakten er for trebenet stikprop, benyttes en trebenet stikprop, og lederen med gul/grøn isolation skal tilsluttes jordklemme.

- hvis stikkontakten kun er for tobenet stikprop, benyttes en tobenet stikprop. Hvis du selv monterer denne, skal lederen med gul/grøn isolation klippes af så tæt som muligt på det sted, hvor ledningen går ind i stikproppen.

I alle tilfælde bør man lade en autoriseret elinstallatør undersøge, hvordan man nemmest får ekstrabeskyttet apparatet. Elektricitetsrådet anbefaler, at den krævede ekstra beskyttelse udføres med HFI- eller HPFI-afbryder.

Beskadiges netledningen, skal den udskiftes med en tilsvarende type, som leveres af fabrikanten eller dennes servicerepræsentant.

Tekniske data

Dette apparat efterkommer CE mærke regulering, direktiver og standarder. Lavspændingsdirektivet 73/23/EEC EMC direktivet 89/336/EEC.

Energimærkningsdirektivet 92/75 og dens efterfølgende tilføjelser 94/2 og 2003/66 Energieffektivitetsdirektivet 96/57 og dens efterfølgende tilføjelser.

Betjening og funktion

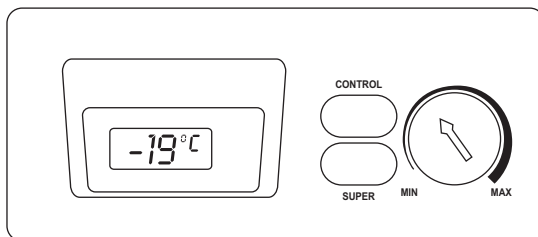


fig. 4

Mekanisk styring

Kontrolpanelet omfatter foruden termostatknapen (fig. 4) en kontrollampe og en kontakt. Der kan forekomme mindre variationer i panelernes design og lampernes indbyrdes placering.

Grøn lampe lyser, når strømtilførslen er i orden.

Gul lampe lyser, når Superfrys kontakten er trykket ind (se superfrys).

Igangsætning

Boksen tilsluttes stikkontakten. Den grønne lampe lyser som tegn på, at fryseren får tilført strøm.

Temperaturindstilling

Temperaturen indstilles ved at dreje termostatknapen fra MIN til MAX. Det anbefales at anvende en mønt. Jo nærmere termostatknapen drejes mod MAX, jo lavere bliver temperaturen. Den rigtige indstilling findes ved at måle temperaturen på den øverste pakke midt i fryseren. Den bør ikke være varmere end -18 °C.

Superfrys

Ved indfrysning af mere end 3 kg gøres følgende:

1. Tryk på Superfrys-kontakten (gul lampe lyser). Fryseren arbejder nu ved højeste ydeevne (kompressoren kører uafbrudt).
2. Aktiver superfrys 24 timer inden de nye varer lægges i fryseren.
3. Læg varerne i fryseren og fortsæt på Superfrys i yderligere 24 timer.
4. Tryk derefter knappen ud (den gule lampe slukker).

Anvendelse

Fryseren

Fryseboksen er en 4-stjernet fryser, som er godkendt til indfrysning og opbevaring af fødevarer.

Indfrysning

For at bevare varernes kvalitet skal de fryses ned til $-18\text{ }^{\circ}\text{C}$ hurtigst muligt.

Fryserens indfrysningskapacitet er angivet på typeskiltet i kg/24 timer (se fig. 1 side 3 og fig. 10 side 16).

Med Superfrys knappen tændt sænkes temperaturen under indfrysningen til -25 grader celsius. Hvis du vil indfryse mere end 3 kg skal superfrys knappen aktiveres ca. 24 timer i forvejen.

Ved små mængder er det tilstrækkeligt, at du gør dette et par timer i forvejen eller samtidig med at du lægger varerne i fryseren.

Du behøver ikke at anvende superfrys knappen, når du lægger allerede indfrosne varer i fryseren og heller ikke når det drejer sig om enkelte småpakker.

Anvend kun friske fødevarer af god kvalitet. Kød, fjerkræ, fisk, grøntsager, frugt, mælkeprodukter og tilberedt mad egner sig til indfrysning. Madvarer med højt fugtindhold såsom salat, radiser, grape, hele æbler, agurk og pærer egner sig ikke til indfrysning.

Pak varerne i lufttætte beholdere, fryseposer eller lignende. Sørg for at portionerne har en praktisk størrelse. Frys ikke grøntsager eller kød ned i portioner, der er større end 2,5 kg. Hold pakkerne

tørre, så de ikke fryser sammen. Læg varerne så de, så vidt muligt, ikke rører ved hinanden, så går indfrysningen hurtigere. Tryk luften ud af pakkerne, så undgår man at varerne tørrer ud på ydersiden.

Varer der skal indfryses bør placeres i indfrysningsrummet eller jævnt langs fryserens indervægge.

Husk altid at skrive indhold, mængde og dato på varen. Det er en fordel at dele madvarerne op i "kategorier". Det vil sige at grøntsager samles et sted, kød et andet sted og så videre.

Fødevarerne må ikke stables højere end 5 mm under lågpannen.

Fødevarer som opbevares i kurvene er synlige og nemt tilgængelige (fig. 6).



fig. 6

Optøning

Frosne grøntsager og frugt skal ikke optøs før brug, men kommes direkte i kogende vand.

Når kød optøs, er det en fordel at tage det ud dagen før tilberedningen og lægge det i køleskabet. Det giver den bedste hygiejne og kødets kvalitet bevares bedst muligt.

Note

Glasflasker og dåser med væske der indeholder kulsyre må ikke nedfryses, da disse kan springe.

Afrimning

Varene og fugtigheden i luften forårsager efterhånden rim- og isdannelse i boksen. Et tyndt lag rim eller is nedsætter ikke fryserens funktion, men jo tykkere belægningen er, desto højere bliver energiforbruget. Lidt løst rim kan skrubes af med en plastiskraber.

Brug aldrig elektriske apparater eller skarpe genstande, da det kan beskadige de indvendige dele i apparatet.

Når rim- og isdannelsen er 4-5 mm tyk skal fryseren afrimes. Det anbefales at afrime fryseren når der er få eller ingen varer i fryseren.

Gå frem på følgende måde:

1. Tryk på superfrys knappen 4-5 timer før man ønsker at afrime apparatet. Så er varerne koldere (ca. -25°C) og holder længere udenfor fryseren (se punkt 3).
2. Afbryd strømmen.
3. Tag madvarerne ud. Opbevar dem i køleskabet eller godt indpakket, således at optøning begrænses mest muligt.
4. Lad låget stå åben.
5. Placer skillevæggen under tøvandsudløbet.
6. Sæt en skål med varmt vand (ikke kogende) i fryseren, luk låget og vent ca. 30 minutter, hvorefter rimlaget fjernes med plastskraber.
7. For at undgå vand på gulvet under optøningsprocessen, skal man holde opsyn med tøvandsbakken. Man bør afdække gulvet omkring tøvandsafløbet for at beskytte imod is og vandstænk. Når isen er smeltet, gøres fryseren ren med en svag opløsning af vand og uparfumeret opvaskemiddel. Tør af med en blød klud.

8. Tilslut strømmen. Er der mange varer, der skal lægges tilbage i fryseren kan superfrys knappen slås til.
9. Varerne kan lægges ind i apparatet igen ca. 5 minutter efter at der er tændt for det.

Husk at sætte proppen i tøvandsafløbet igen.

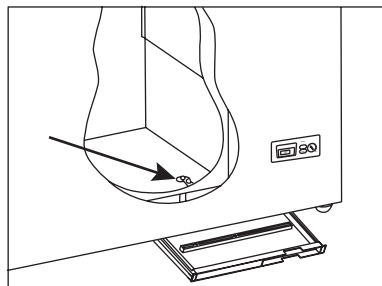


fig. 8

Rengøring og vedligeholdelse

Rengøring

Inden rengøring skal stikproppen tages ud og alt løst tilbehør fjernes.

Fryseboksen rengøres bedst med en opløsning af lunkent vand tilsat lidt uparfumeret opvaskemiddel (max. 85 °C). Anvend ikke rengøringsmidler der kan ridse. Brug en blød klud. Vask efter med rent vand og tør grundigt af. Undgå at der kommer vand ind i betjeningspanelet.

Tætningslisten rundt ved låget kræver jævnlig rengøring for at undgå misfarvning og sikre lang holdbarhed. Brug rent vand. Efter rengøring af lågets tætningsliste bør du kontrollere om den fortsat slutter tæt.

Ventillationsristen skal holdes fri for snavs og skidt. Rengøres med støvsuger.

Er man bortrejst i længere tid, afbryd strømmen og tag stikket ud, tøm og rengør fryseboksen og lad låget stå åbent, for at undgå lugtgener.

Udskiftning af pære

1. Afbryd strømmen ved kontakten og tag stikket ud.
2. Afmonter lysskærmen (fig. 9). Klem lysskærmen sammen, så lysskærmen løsnes fra de to klips.
3. Udskift lyspæren(e).
4. Monter lysskærmen og tilslut strømmen.

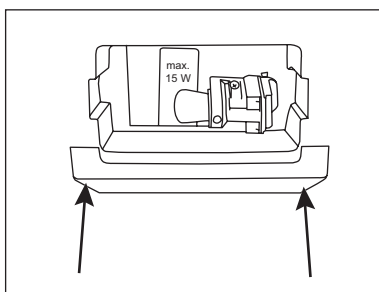


fig. 9

Spar energi

- nedkøl varm mad og drikke inden de kommer i fryseren.
- lad frosne varer tø op i køleskabet.
- hold låget lukket så meget som muligt.
- jævnligt kontrollér at låget lukker tæt
- installer fryseren i et køligt (min. 5°C) og godt ventileret rum.
- kom frosne fødevarer ind i køleskabet mens fryseren afrimes.
- afrim fryseren inden islaget bliver for tykt.

Fejlfindingsliste

Fejl	Mulig årsag	Afhjælpning
Ingen kontrollamper lyser.	Apparatet er slukket. Strømsvigt; sikringen er slået fra; netstikket er ikke sat rigtigt i.	Kontrollér stik og kontakt. Kontrollér om strømmen er tilsluttet. Sikringen skal være slået til.
Temperaturen i fryserummet er for høj.	Ventilationsristen er blokeret. Fryserens låg er ikke lukket rigtigt. Der er lagt flere frysevarer i på én gang end fryseren har kapacitet til. Kraftig rim og islag. Termostat er indstillet for varmt.	Sørg for at der er uhindret luftcirkulation. Luk låget og vent et par timer. Vent et par timer. Afrim fryseren. Indstil termostat til koldere position.
Temperaturen i fryseren er for lav.	Superfrys funktionen er aktiveret. Termostaten er indstillet for koldt. Låget støder mod varer i fryseren.	Afbryd superfrys funktionen. Indstil termostat til varmere position. Flyt rundt på varerne og kontrollér at låget kan lukke rigtigt.
Fryseren rimer kraftigt.	Rummet er meget fugtigt. Fugtafgivelse fra varerne.	Luft hyppigt ud eller flyt fryseren til et rum med mindre fugt. Ompak varerne.
Låget kan ikke åbnes.	Undertryk i fryseren.	Vent 2-3 minutter indtil undertrykket er forsvundet og prøv igen.
Vibrationer og ualmindelig støj.	Apparatet står ikke på en plan flade. Apparatet er ikke fritstående. Kurve eller skillevæg er løse.	Placer fryseboksen på et plant vandret og stabilt underlag. Flyt apparatet væk fra møbler eller andre apparater. Kontrollér de flytbar dele og isæt dem igen.

Reservedele

Reservedele

Angiv venligst type- og serienummer samt prod. nummer, når du bestiller reservedele (se fig. 1 side 3 og fig. 10). Disse oplysninger finder du på typeskiltet bag på apparatet. Typeskiltet, indeholder forskellige tekniske oplysninger, samt type- og serienummer.

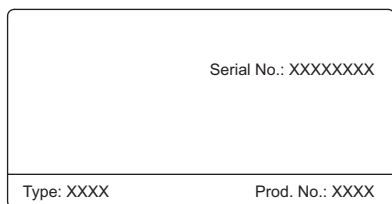


fig. 10

Husk altid at bruge autoriserede håndværkere, hvis der er noget der skal repareres eller udskiftes!


Bortskaffelse

Vær opmærksom på gældende miljøregler. Kommunens tekniske forvaltning kan oplyse dig om hvordan opsamling og genanvendelse af sådanne apparater foregår i kommunen.

Dette produkt er mærket i henhold til EU-direktiv 2002/96/EF om Kasseret elektrisk og elektronisk udstyr (WEEE).

Ved at sikre, at dette produkt bliver skrottet korrekt, hjælper man med til at forhindre potentielle, negative konsekvenser for miljøet og folkesundheden, der kunne opstå gennem uhensigtsmæssig bortskaffelse af dette produkt.



Symbolet  på produktet eller på dokumenterne, der ledsager produktet, angiver, at produktet ikke må bortskaffes sammen med husholdningsaffaldet.

Det skal i stedet afleveres på en genbrugsstation for elektrisk og elektronisk udstyr.

Det skal skrotes i henhold til gældende lokale miljøregler for bortskaffelse af affald. For yderligere oplysninger om håndtering, genvinding og genbrug af dette produkt bedes man kontakte de lokale myndigheder, renovationsselskabet eller forretningen, hvor produktet er købt.

Før bruk

Før du bruker ditt nye apparat, bør du lese bruksanvisningen grundig. Bruksanvisningen inneholder viktige opplysninger om sikkerhet, installasjon, drift og vedlikehold. Ta vare på bruksanvisningen. Du kan få bruk for den senere.

Kontroller at apparatet ikke har blitt skadet under transporten. Transportskader skal anmeldes til forhandleren før fryseboksen tas i bruk.

Fjern emballasjen. Rengjør apparatet innvendig med lunkent vann tilsatt et mildt, uparfymert oppvaskmiddel. Vask med rent vann og turr grundig av (se rengjøring). Bruk en myk klut.

Hvis fryseren har stått på lager i kalde omgivelser (kaldere enn +5 °C), skal den ha en hvileperiode på minst 1 time før den tas i bruk.

Hvis fryseren har vært transportert på høykant, bør den stå i normal stilling i ca. et halvt døgn før den tilkobles.

Advarsel

Siden kjølemediet som benyttes i apparatet, er en brennbar gass (Isobutan R600a), bør man være ekstra oppmerksom på at kretsløp og rør ikke blir skadet under transport og installasjon.

Hvis det skulle skje, så unngå gnister eller åpen ild, sørg for ventilasjon i rommet, avbryt strømmen, hvis den er koblet til, og kontakt din leverandør.

Service må kun utføres av et kvalifisert servicesenter.

Gamle apparater

Gamle kjøleskap og fryserer er ofte utstyrt med kompliserte smekklåser som bare kan åpnes fra utsiden. Hvis du har en slik modell stående eller kasserer en, så husk å ødelegge låsen først. På den måten forhindrer du at lekende barn kan bli sperret inne og komme i livsfare.

Innhold

Bli kjent med fryseboksen.....	3
Start og installasjon.....	4
Elektrisk tilkobling.....	5
Betjening og funksjon.....	6
Bruk.....	7
Avriming.....	8
Rengjøring og vedlikehold.....	9
Feilsøkingliste.....	10
Reservedeler.....	11
Kassering.....	12

Bli kjent med fryseboksen

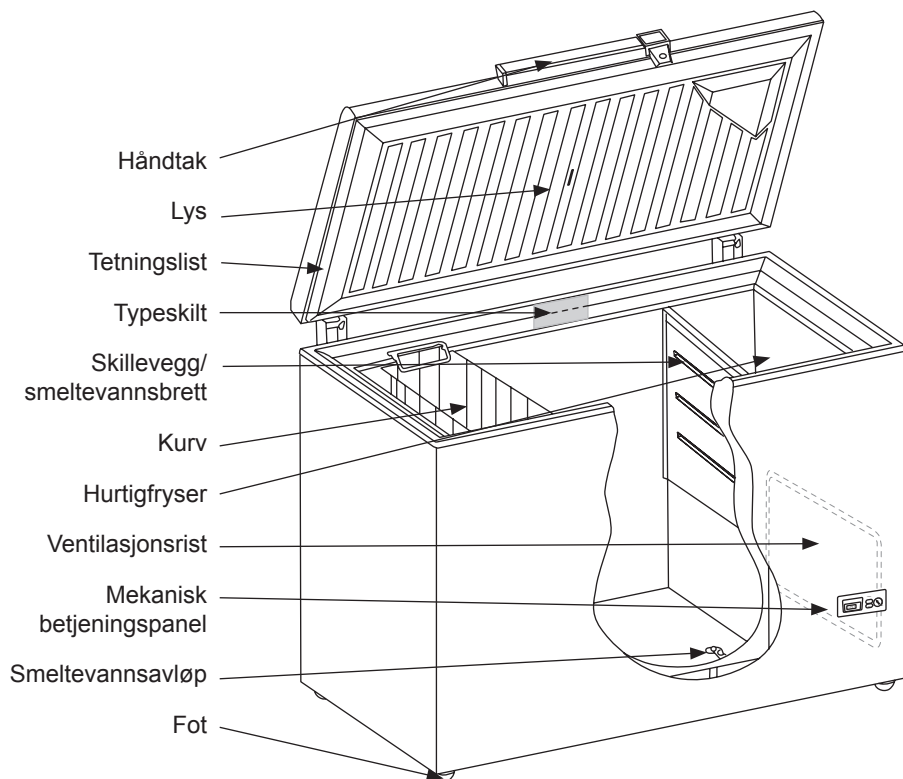


fig. 1

Start og installasjon

Plassering

Av sikkerhetsmessige og driftsmessige årsaker må apparatet ikke plasseres utendørs.

Sett fryseboksen på et plant, vannrett og stabilt underlag i et tørt og godt ventilert rom (maks. 75 % relativ luftfuktighet).

Sett ikke apparatet tett på varmekilder som komfyr eller radiator og unngå at det utsettes for direkte sollys eller varme fra andre varmekilder.

Romtemperaturen

Klimaklassen står på typeskiltet (se fig. 1 side 3 og fig. 10 side 12). Den oppgir innenfor hvilke romtemperaturer fryseboksen virker optimalt.

Klimaklasse	Tillatt romtemperatur
SN	+10 °C til +32 °C
N	+16 °C til +32 °C
ST	+18 °C til +38 °C
T	+18 °C til +43 °C

Hvis romtemperaturen er under frysepunktet vil fryseren ikke fungere normalt.

Ventilasjon

Det er viktig at apparatet får tilstrekkelig ventilasjon, og at det er god luftsirkulasjon over, under og rundt apparatet. Figur 2 viser hvordan du sikrer at det er nødvendige sirkulasjon rundt fryseren.

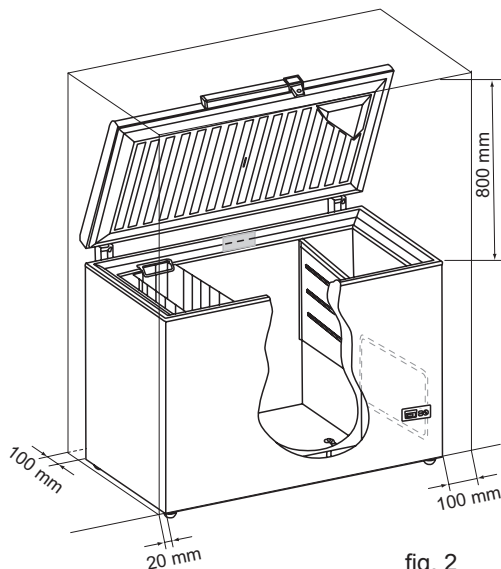


fig. 2

Mellom bunnen av fryseren og gulvet må det være et mellomrom på 15 mm.

VIKTIG! Det må være fri adgang til ventilasjonsristen (fig. 3).

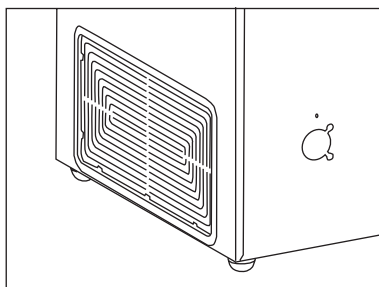


fig. 3

Elektrisk tilkobling

Fryseren er beregnet for tilkobling til vekselstrøm. Tilkoblingsverdiene for spenning (V) og frekvens (Hz) er vist på typeskiltet på baksiden av apparatet. Fryseren skal kobles til en selvstendig stikkontakt.

Hvis strømleningen er skadet, må den skiftes ut med en av tilsvarende type som leveres av fabrikanten eller dennes serviceforbindelser.

Tekniske data

Dette apparatet oppfyller CE-merkeregulene, direktiver og standarder.

Lavspenningsdirektivet 73/23/EEC.

EMC-direktivet 89/336/EEC.

Energimerkedirektivet 92/75 og de etterfølgende tilføyelsene 94/2 og 2003/66.

Energieffektiviseringsdirektivet 96/57 og dets etterfølgende tilføyelser.

Betjening og funksjon

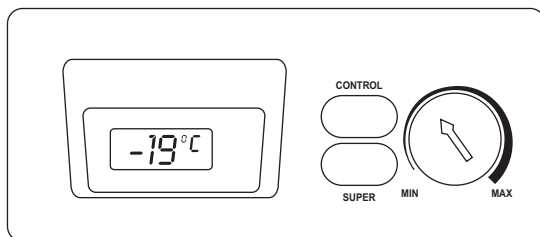


fig. 4

Mekanisk styring

Kontrollpanelet omfatter i tillegg til termostatknappen (fig. 4) to kontrollamper og en bryter. Det kan forekomme mindre variasjoner i designen av panelene og den innbyrdes plasseringen av lampene.

Grønn lampe lyser når strømtilførselen er i orden.

Gul lampe lyser når Superfrys-bryteren er trykket inn (se Superfrys).

Igangsetting

Sett boksens støpsel i stikkontakten. Den grønne lampen lyser som tegn på at det er strøm på fryseren. Den røde lampen på kontrollpanelet lyser fordi temperaturen i fryseren enda ikke er tilstrekkelige lav.

Temperaturinnstilling

Temperaturen innstilles ved å dreie termostatknappen fra MIN til MAX. Det anbefales å bruke en mynt. Jo mer termostatknappen dreies mot MAX, jo lavere blir temperaturen. Den riktige innstillingen finnes ved å måle temperaturen på den øverste pakken midt i fryseren. Den

bør ikke være varmere en $-18\text{ }^{\circ}\text{C}$.

Superfrys

Ved innfrysing av mer enn 3 kg gjøres følgende:

1. Trykk på Superfrys-bryteren (gul lampe lyser). Fryseren arbeider nå ved høyeste effekt (kompressoren går uavbrutt).
2. Aktiver Superfrys 24 timer før de nye varene legges i fryseren.
3. Legg varene i fryseren og fortsett på Superfrys i ytterligere 24 timer.
4. Trykk deretter knappen ut (den gule lampe slukner).

Bruk

Fryseren

Fryseboksen er en 4-stjerners fryser som er godkjent til innfrysing og lagring av ferske matvarer.

Innfrysing

For å bevare kvaliteten til varene må de fryses ned til $-18\text{ }^{\circ}\text{C}$ snarest mulig.

Fryserens innfrysningskapasitet er angitt på typeskiltet i kg/24 timer (se fig. 1 side 3 og fig. 10 side 16).

Med Superfrys-knappen på senkes temperaturen under innfrysingen til $-25\text{ }^{\circ}\text{C}$. Hvis du vil fryse inn mer enn 3 kg, må Superfrys-knappen aktiveres ca. 24 timer i forveien.

Ved små mengder er det tilstrekkelig at du gjør dette et par timer i forveien eller samtidig med at du legger varene i fryseren.

Du trenger ikke å benytte superfrys-knappen når du legger allerede frosne varer i fryseren og heller ikke når det dreier seg om enkelte småpakker.

Benytt kun ferske matvarer av god kvalitet. Kjøtt, fjærfe, fisk, grønnsaker, frukt, melkeprodukter og tilberedt mat egner seg til innfrysing. Matvarer med høyt fuktinnhold som salat, reddiker, grapefrukt, hele epler, agurk og pærer egner seg ikke til innfrysing.

Pakk varene i lufttette beholdere, fryseposer eller lignende. Sørg for at porsjonene har en praktisk størrelse. Frys ikke kjøtt eller grønnsaker ned i porsjoner som er større enn 2,5 kg. Hold pakkene tørre, så de ikke fryser sammen. Legg varene slik at de, så vidt mulig, ikke berører hverandre, så går

innfrysingen raskere. Trykk luften ut av pakkene, så unngår du at varene tørrer ut på yttersiden.

Varer som skal fryses ned, bør plasseres i hurtigfryseren eller jevnt fordelt langs fryserens innervegger.

Husk alltid å skrive innhold, mengde og dato på varen. Det er en fordel å dele matvarene opp i "kategorier". Det vil si at grønnsaker samles ett sted, kjøtt et annet sted og så videre.

Matvarene må ikke stables høyere enn 5 mm under undersiden av lokket.

Matvarer som oppbevares i kurvene, er synlige og lett tilgjengelige (fig. 6).



fig. 6

Tining

Frosne grønnsaker og frukt må ikke tines før bruk, men has direkte i kokende vann.

Når kjøtt skal tines, er det en fordel å ta det ut dagen før tilberedningen og legge det i kjøleskapet. Det gir den beste hygien og kvaliteten til kjøttet bevares best mulig.

Note

Glassflasker og bokser med væske som inneholder kullsyre, må ikke fryses ned, siden disse kan sprenge.

Avriming

Varene og fuktigheten i luften forårsaker etter hvert rim- og isdannelse i skapet. Et tynt lag rim eller is forringer ikke fryserens funksjon, men jo tykkere belegget er, jo høyere blir energiforbruket. Litt løs rim kan skrapes av med en plastskrape.

Bruk aldri elektriske apparater eller skarpe gjenstander, siden det kan skade de innvendige delene av apparatet.

Når rim- og isdannelsen er 4-5 mm tykk, må fryseren avrimes. Det anbefales å avrime fryseren når det er få eller ingen varer i fryseren.

Gå fram på følgende måte:

1. Trykk på Superfrys-knappen 4-5 timer før, du ønsker å avrime apparatet. Så er varene kaldere (ca. $-25\text{ }^{\circ}\text{C}$) og holder lengre uten for fryseren (se punkt 3).
2. Avbryt strømmen.
3. Ta ut matvarene. Oppbevar dem i kjøleskapet eller godt innpakket, slik at tiningen begrenses mest mulig.
4. La lokket stå åpent.
5. Plasser skilleveggen under smeltevannsavløpet.
6. Sett en skål med varmt vann (ikke kokende) i fryseren, lukk lokket og vent ca. 30 minutter, deretter fjernes rimlaget med plastskrapen.
7. For å unngå vann på gulvet under avrimingen må man holde oppsyn med smeltevannsbrettet. Man bør tildekke gulvet omkring smeltevannsavløpet for å beskytte det mot is og vannstenk. Når isen er smeltet, gjøres fryseren ren med en svak oppløsning av vann og uparfymert oppvaskmiddel. Tørk av med en myk klut.
8. Tilkoble strømmen. Er det mange varer, som skal legges tilbake i fryseren, kan superfrys-knappen slås på.
9. Varene kan legges inn i apparatet igjen ca. 5 minutter etter at det er slått på.

Husk å sette proppen i smeltevannsavløpet igjen.

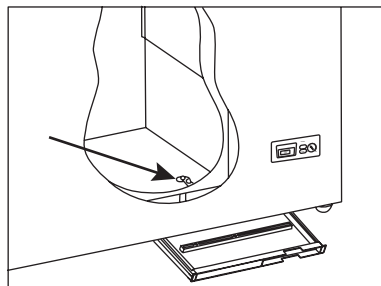


fig. 8

Rengjøring og vedlikehold

Rengjøring

Før rengjøring må støpslet tas ut og alt løst tilbehør fjernes.

Fryseboksen rengjøres best med en oppløsning av lunkenet vann tilsatt litt uparfymert oppvaskmiddel (maks. 65 °C). Bruk ikke rengjøringsmidler som kan ripe. Bruk en myk klut. Vask med rent vann og turr grundig av. Pass på at det ikke kommer vann inn i betjeningspanelet.

Tetningslisten omkring lokket krever jevnlig rengjøring for å unngå misfarging og sikre lang levetid. Bruk rent vann. Etter rengjøring av lokkets tetningslist bør du kontrollere om den fortsatt er tettsluttende.

Ventilasjonsristen skal holdes fri for skitt. Rengjøres med støvsuger.

Er man bortreist i lengre tid, så slukk strømmen, ta ut støpslet, tøm og rengjør fryseren og la lokket stå åpent for å unngå ubehagelig lukt.

Utskifting av lyspære

1. Ta ut støpslet.
2. Demonter lysskjermen (fig. 9). Klem sammen lysskjermen, slik at lysskjermen løsner fra de to klipsene.
3. Bytt lyspæren(e).
4. Monter skjermen og tilslutt strømmen.

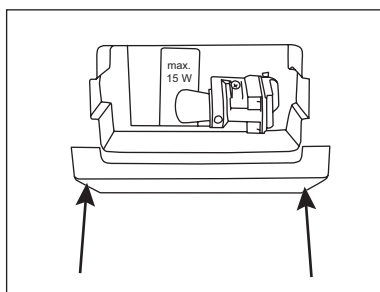


fig. 9

Spar energi

- avkjøl varm mat og drikke innen den settes i fryseren.
- la frosne varer tine i kjøleskapet.
- hold lokket stengt så mye som mulig.
- kontroller med jevne mellomrom at lokket lukker tett - installer fryseren i et kjølig (min. 5 °C) og godt ventilert rom.
- legg frosne matvarer i kjøleskapet mens fryseren avrimes.
- avrim fryseren før islaget blir for tykt.

Feilsøkingliste

Feil	Mulig årsak	Løsning
Ingen kontrollamper lyser.	Apparatet er slukket. Strømvavbrudd; sikringen er slått ut; støpslet er ikke satt riktig i.	Kontroller støpsel og kontakt. Kontroller om strømmen er tilkoblet. Sikringen skal være slått på.
Temperaturen i fryseren er for høy.	Ventilasjonsristen er blokkert. Lokket til fryseren er ikke lukket riktig. Det er lagt flere frysevarer i på en gang enn fryseren har kapasitet til. Kraftig rim og islag. Termostaten er innstilt for varmt.	Sørg for at det er uhindret luft sirkulasjon. Lukk lokket, og vent et par timer. Vent et par timer. Avrim fryseren. Innstill termostaten til kaldere posisjon.
Temperaturen i fryseren er for lav.	Superfrys-funksjonen er aktivert. Termostaten er innstilt for varmt. Lokket støter mot varer i fryseren.	Avbryt Superfrys-funksjonen. Innstill termostaten til en varmere posisjon. Flytt varene rundt, og kontroller at lokket kan lukkes riktig.
Fryseren rimer kraftig.	Rommet er svært fuktig. Fuktavgivelse fra varene.	Luft ut ofte, eller flytt fryseren til et rom med mindre fukt. Pakk om varene.
Lokket kan ikke åpnes.	Undertrykk i fryseren.	Vent 2-3 minutter inntil undertrykket er forsvunnet, og prøv igjen.
Vibrasjoner eller uvanlig støy.	Apparatet står ikke på en plan flate. Apparatet er ikke frittstående. Kurver eller skillevegg er løse.	Plasser fryseboksen på et plant, vannrett og stabilt underlag. Flytt apparatet vekk fra møbler eller andre apparater. Kontroller de flyttbare delene og sett dem i igjen.

Reservedeler

Reservedeler

Vennligst angi type-, serie- og prod.-nummer når du bestiller reservedeler (se fig. 1 side 3 og fig. 10). Disse opplysningene finner du på typeskiltet bak på apparatet. Typeskiltet inneholder forskjellige tekniske opplysninger og type- og serienummer.

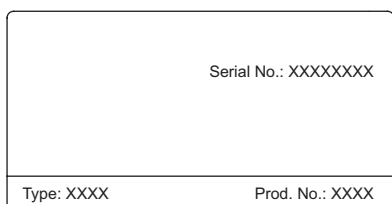


fig. 10

Husk alltid å bruke autoriserte håndverkere, hvis det er noe som må repareres eller byttes!


Kassering

Vær oppmerksom på gjeldende miljøbestemmelser. Myndighetene kan opplyse deg om hvordan innsamling og gjenvinning av slike apparater foregår i kommunen.

Dette apparatet er merket i samsvar med EU-direktiv 2002/96/EC om avhending av elektrisk og elektronisk utstyr (Waste Electrical and Electronic Equipment - WEEE).

Forsikre deg om at dette produktet blir avhendet på korrekt vis, slik at det ikke kan utgjøre noen helse- eller miljørisiko.



Symbolet  på produktet eller på dokumentene som følger med det, viser at dette produktet ikke må behandles som husholdningsavfall. Lever det til et autorisert mottak for resirkulering av elektrisk og elektronisk utstyr.

Avhending må skje iht. de lokale renovasjonsforskriftene.

For nærmere informasjon om håndtering, kassering og resirkulering av dette produktet, kontakt kommunen, renovasjonsvesenet eller forretningen der du anskaffet det.

Voordat u begint

Voordat u uw nieuwe kast in gebruik neemt, dient u de gebruiksaanwijzing grondig door te nemen. De gebruiksaanwijzing bevat belangrijke informatie over veiligheid, installatie, werking en onderhoud. Bewaar de gebruiksaanwijzing. U kunt hem later misschien nog nodig hebben.

Controleer bij de ontvangst dat de vriezer niet beschadigd is.

Transportbeschadigingen moeten aan de handelaar gemeld worden voordat de vrieskist in gebruik genomen wordt.

Verwijder de verpakking. Maak de kast van binnen met een sopje van lauw water en een zacht, ongeparfumeerd afwasmiddel schoon. Met schoon water nawassen en grondig afdrogen (zie onder reiniging). Gebruik hiervoor een zachte doek.

Indien de vriezer in een koude omgeving (kouder dan +5 °C) opgeslagen is geweest, moet er een rustperiode van minstens 1 uur in acht genomen worden voordat de kist in gebruik genomen wordt.

Wanneer de vriezer met de smalle kant naar boven getransporteerd is, moet hij ca. 12 uur in de normale stand staan voordat hij mag worden aangesloten.

Waarschuwing

Het koelmiddel dat in de kast gebruikt wordt, is een brandbaar gas (isobutaan R600a), en daarom moet u erop letten dat het circuit en de buizen tijdens het vervoer en de installatie niet beschadigd worden. Als dit wel gebeurt, dient u vonken en open vuur te vermijden, goed door te luchten, als de stekker in het stopcontact zit, deze eruit te halen en uw leverancier te bellen. De service mag uitsluitend door een erkende servicemonteur uitgevoerd worden.

Oude kasten

Oude koelkasten en vriezers zijn vaak voorzien van ingewikkelde sloten die kunnen dichtslaan en dan alleen van buiten af te openen zijn. Als u een dergelijk model bezit en ter vernietiging aanbiedt, moet u ervoor zorgen dat u het slot onklaar maakt. Hierdoor voorkomt u dat spelende kinderen zich erin kunnen opsluiten.

Inhoud

Uw vriezer leren kennen.....	3
Installatie en ingebruikneming.....	4
Aansluitspanning.....	5
Bediening en functie.....	6
Toepassing.....	7
Ontdooien.....	8
Reiniging en onderhoud.....	9
Fouten opsporen.....	10
Reservedelen.....	11
Verschroten.....	12

Uw vriezer leren kennen

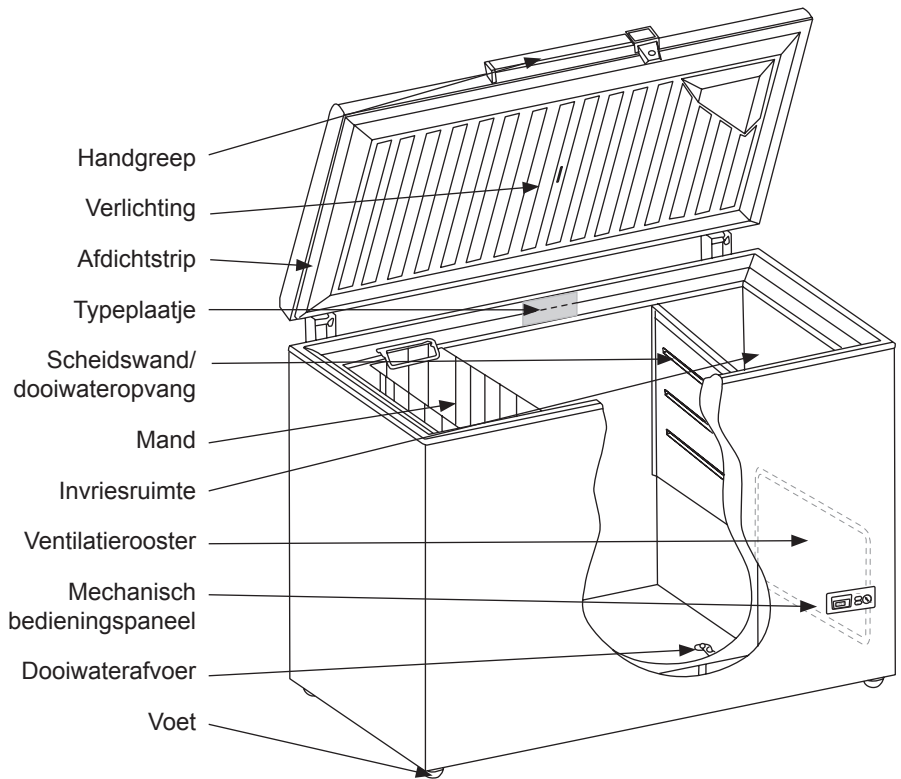


fig. 1

Installatie en ingebruikneming

Plaatsing

De vriezer mag om veiligheidsredenen niet buiten geplaatst worden.

Plaats de vrieskist op een egale, vlakke en stabiele onderlaag in een droge en goed geventileerde ruimte (max. 75% relatieve luchtvochtigheid).

Plaats de vrieskist niet dicht bij verwarmingsbronnen als fornuizen of radiatoren, en vermijd dat hij in direct zonlicht of de warmte van een andere verwarmingsbron staat.

Ruimtemperatuur

De temperatuurklasse staat op het typeplaatje (zie fig. 1 blz. 3 en fig. 10 blz. 12). Hiermee wordt aangegeven onder welke ruimtetemperaturen de vrieskist optimaal werkt.

Temperatuurklasse	Toegestane ruimtetemperatuur
SN	+10 °C tot +32 °C
N	+16 °C tot +32 °C
ST	+18 °C tot +38 °C
T	+18 °C tot +43 °C

Als de ruimtetemperatuur onder het vriespunt is, zal de vriezer niet normaal werken.

Ventilatie

Het is belangrijk dat de kist voldoende ventilatie heeft en dat er boven, onder en rondom de kist een vrije luchtcirculatie is. Fig. 2 laat zien hoe de benodigde circulatie rondom de vriezer bereikt wordt.

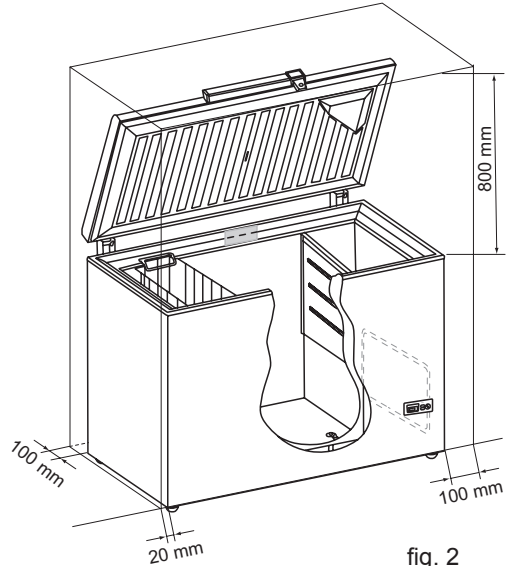


fig. 2

Tussen de onderkant van de vriezer en de vloer moet een tussenruimte van 15 mm zijn.

BELANGRIJK! Het ventilatierooster moet vrij toegankelijk zijn (fig. 3).

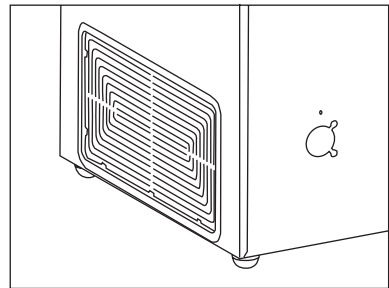


fig. 3

Aansluitspanning

De vrieskist is gemaakt voor aansluiting op het wisselstroomnet. De aansluitwaarden voor spanning (V) en frequentie (Hz) staan op het typeplaatje achterop het apparaat aangegeven. De kist moet op een eigen stopcontact aangesloten worden.

Vervang de netkabel als deze beschadigd is door een overeenkomstig type dat de fabrikant of zijn servicemonteur levert.

Technische gegevens

Deze kist is in overeenstemming met de bepalingen, richtlijnen en normen voor het CE-merk.

Richtlijn laagspanning 73/23/EEG.

EMC richtlijn 89/336/EEG.

Richtlijn energiekeurmerk 92/75 en latere toevoegingen 94/2 en 2003/66.

Richtlijn energierendement 96/57 en latere toevoegingen.

Bediening en functie

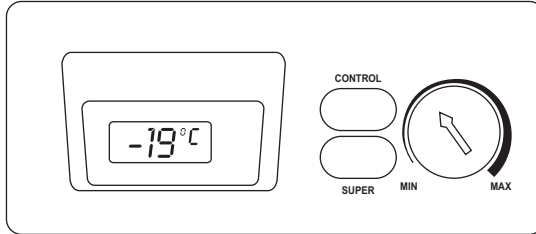


fig. 4

Mechanische regeling

Het bedieningspaneel bevat naast de thermostaatknop (fig. 4) twee controlelampjes en een schakelaar. Er kunnen kleine verschillen optreden in het ontwerp van het paneel en de plaatsing van de lampen ten opzichte van elkaar.

Het groene lampje brandt als de stroomtoevoer in orde is.

Het gele lampje brandt als de Supervries-schakelaar ingedrukt is (zie onder Supervries).

Inbedrijfstelling

Zet de stekker van de kist in het stopcontact. Het groene lampje brandt om aan te geven dat de vriezer op de stroomnet is aangesloten. Het rode lampje op het controlepaneel brandt omdat de temperatuur in de vriezer nog niet laag genoeg is.

Temperatuurinstelling.

De temperatuur is in te stellen door de thermostaatknop van MIN naar MAX te draaien. Aangeraden wordt hierbij een munt te gebruiken. Hoe dicht de thermostaatknop bij MAX komt, des te lager de temperatuur. De juiste instelling wordt

gevonden door de temperatuur op het bovenste pak middenin de vriezer te meten. De temperatuur dient niet hoger te zijn dan -18°C .

Supervries

Bij het invriezen van meer dan 3 kg doet u als volgt:

1. Druk op de Supervries-knop (het gele lampje gaat branden). De vriezer werkt nu op hoogste capaciteit (de compressor werkt onafgebroken).
2. Activeer Supervries 24 uur voordat de producten in de vriezer gelegd worden.
3. Leg de levensmiddelen in de vriezer en laat deze nog 24 uur op Supervries staan.
4. Zet de knop daarna weer uit (het gele lampje gaat uit).

Toepassing

De vriezer

De vrieskist is een viersterren vriezer die goedgekeurd is voor het invriezen en bewaren van diepvriesproducten.

Invriezen

Om een goede kwaliteit van de producten te behouden moeten ze zo snel mogelijk tot $-18\text{ }^{\circ}\text{C}$ ingevroren worden.

De invriescapaciteit staat in kg/24 uur op het typeplaatje (zie fig. 1 blz. 3 en fig. 10 blz. 16).

Als u de supervries-knop gebruikt, wordt de temperatuur tot $-25\text{ }^{\circ}\text{C}$ verlaagd. Als u meer dan 3 kg wilt invriezen, moet u de supervries-knop ca. 24 uur van tevoren activeren.

Bij kleine hoeveelheden is het voldoende dit een paar uur van tevoren te doen of wanneer u de producten in de vriezer legt. U hoeft de supervries-knop niet te gebruiken als u ingevroren producten in de vriezer legt, en ook niet als het maar een paar kleine pakjes zijn.

Gebruik alleen verse levensmiddelen van goede kwaliteit. Vlees, pluimvee, vis, groente, fruit, zuivelproducten en toebereide gerechten zijn voor invriezen geschikt. Levensmiddelen met een hoog vochtgehalte zoals sla, radijzen, grapefruit, hele appels, komkommers en peren zijn niet geschikt om in te vriezen.

Verpak de levensmiddelen in luchtdichte dozen, vrieszakjes en dergelijke. Zorg ervoor dat de porties praktisch zijn. Vries geen porties groenten en vlees in groter dan 2,5 kg. Zorg ervoor dat de verpakkingen droog zijn, zodat ze niet aan elkaar vriezen. Leg indien mogelijk de in te vriezen producten zó dat ze niet met

elkaar in aanraking komen, dan verloopt het invriesproces sneller. Druk de lucht uit de verpakking; hierdoor wordt voorkomen dat de inhoud op de buitenkant uitdroogt.

Leg de in te vriezen producten in de invriesruimte of verdeel ze langs de binnenwanden van de vriezer. Vergeet niet inhoud, hoeveelheid en datum op de verpakking te noteren. U kunt de levensmiddelen met voordeel in "categorieën" opdelen. Dat wil zeggen groenten op één plek, vlees op een andere plek enz.

Stapel de levensmiddelen niet hoger dan 5 mm onder de onderzijde van het deksel.

Levensmiddelen die in de manden liggen, zijn zichtbaar en gemakkelijk toegankelijk (fig. 6).



fig. 6

Ontdooien

Ontdooi ingevroren groenten en fruit voor gebruik, maar leg ze meteen in kokend water.

Vlees dat moet ontdooien, kan het beste de dag tevoren in de koelkast gelegd worden. Dit is het meest hygiënisch en de kwaliteit van het vlees blijft hierdoor beter.

NB:

Vries geen glazen flessen en doosjes in die koolzuurhoudende vloeistoffen bevatten want ze kunnen ontploffen.

Ontdooien

De producten en het in de lucht aanwezige vocht veroorzaken op den duur rijp- en ijsvorming in de kist. Een dun laagje rijp of ijs heeft geen invloed op de functie van de vriezer, maar hoe dikker de laag, desto hoger het energieverbruik. Wat losse rijp kunt u met een kunststof schraper verwijderen.

Gebruik nooit elektrische apparaten of andere scherpe voorwerpen omdat dit de inwendige delen in de kist kan beschadigen.

Wanneer de laag rijp of ijs 4-5 mm dik is, moet de vriezer ontdooid worden. Aangeraden wordt de vriezer te ontdooien als er weinig of geen producten in zitten.

Doe dit als volgt.

1. Druk 4-5 uur voordat u de kist wilt ontdooien op de supervries-knop. Dan zijn de producten kouder (ca. -25°C) en blijven langer bevroren buiten de vriezer (zie punt 3).
2. Schakel de stroom uit.
3. Verwijder de levensmiddelen. Bewaar ze in de koelkast of goed ingepakt, zodat ze zo weinig mogelijk ontdooien.
4. Laat het deksel open staan.
5. Zet de scheidswand onder de dooiwaterafvoer.
6. Zet een schaal warm water (niet kokend) in de vriezer, sluit het deksel ca. 30 minuten en verwijder daarna de rijplaag met de kunststofschraper.
7. Hou de dooiwateropvang tijdens het ontdooiproces in de gaten om water op de vloer te vermijden. Dek de vloer rond de dooiwaterafvoer af om de vloer tegen ijs en waterdruppels te beschermen. Maak de vriezer als het ijs gesmolten is, met een

zwakke oplossing van water en ongeparfumeerd afwasmiddel schoon. Droog hem met een zachte doek af.

8. Schakel de stroom in. De supervries-knop kan ingeschakeld worden als er veel levensmiddelen teruggelegd moeten worden.
9. U kunt de levensmiddelen ca. 5 minuten nadat de kist ingeschakeld is weer in de vriezer leggen.

Vergeet niet de dooiwaterafvoer weer af te sluiten.

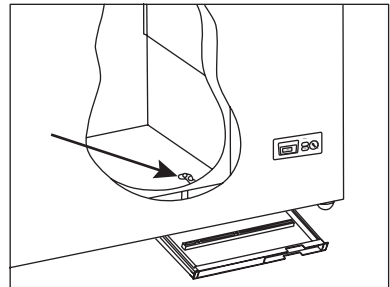


fig. 8

Reiniging en onderhoud

Reinigen

Haal vóór het reinigen de stekker uit het contact en verwijder al het losse toebehoren.

U kunt de kist het beste reinigen met een sopje van water en wat ongeparfumeerd afwasmiddel (max. 65 °C). Gebruik geen schurende reinigingsmiddelen. Gebruik hiervoor een zachte doek. Met schoon water nawassen en grondig afdrogen. Voorkom dat er water in het bedieningspaneel dringt.

Maak de afdichtstrip rondom het deksel regelmatig schoon om verkleuren te voorkomen en een lange levensduur te waarborgen. Gebruik schoon water. Controleer nadat u de strip schoongemaakt heeft, of het deksel nog dicht sluit.

Zorg ervoor dat het ventilatierooster vrij van stof en vuil is. Reinig het met de stofzuiger.

Zet, indien u een tijd lang op reis bent, de stroom uit, trek de stekker uit het stopcontact, leeg de kast, maak hem schoon en laat het deksel openstaan om luchtjes te vermijden.

De gloeilamp vervangen

1. Haal de stekker uit het stopcontact.
2. Demonteer het beschermkapje (fig. 9).
Klem het beschermkapje samen zodat deze loskomt van de twee clips.
3. Vervang de gloeilamp(en).
4. Monteer het beschermkapje weer en steek de stekker in het stopcontact.

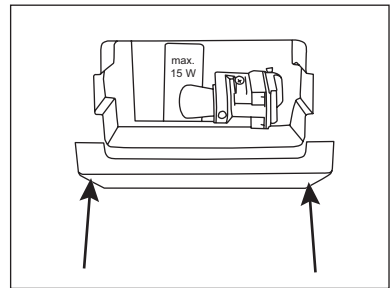


fig. 9

Spaar energie

- Koel warm eten en dranken af voordat u ze in de vrieskast plaatst.
- Laat bevroren levensmiddelen in de koelkast ontdooien.
- Hou het deksel zo veel mogelijk gesloten.
- Controleer regelmatig dat het deksel dicht afsluit
- Installeer de vriezer in een koele (min. 5 °C) en goed geventileerde ruimte.
- Leg bevroren levensmiddelen in de koelkast terwijl de vriezer ontdooit wordt.
- Ontdooi de vriezer voordat de rijplaag te dik wordt.

Fouten opsporen

Fout	Mogelijke oorzaak	Verhelpen
Geen van de controlelampjes branden.	De vriezer staat uit. Stroomstoring; de zekering is doorgeslagen; de stekker zit niet goed in het stopcontact.	Controleer stekker en contact. Controleer of de stroom is ingeschakeld. De zekering moet aan staan.
De temperatuur in de vriezer is te hoog	Het ventilatierooster is geblokkeerd. Het deksel van de vriezer is niet goed gesloten. Er zijn meer invriesproducten tegelijk in de kist gelegd dan de capaciteit kan klaren. Veel rijp- en ijsvorming. De thermostaat is te warm afgesteld.	Zorg ervoor dat de luchtcirculatie niet verhinderd wordt. Sluit het deksel en wacht een paar uur. Wacht een paar uur. Ontdooi de vriezer. Zet de thermostaat kouder.
De temperatuur in de vrieskist is te laag.	De Supervries-functie is ingeschakeld. De thermostaat is te koud afgesteld. Het deksel stoot tegen producten in de vriezer.	Schakel de Supervries-functie uit. Zet de thermostaat warmer. Verplaats de producten en controleer dat het deksel goed afsluit.
De vriezer rijpt overmatig.	De ruimte is erg vochtig. De producten geven vocht af.	Lucht de ruimte regelmatig door of verplaats de vriezer naar een ruimte met minder vocht. Pak de producten beter in.
Het deksel kan niet openen.	Onderdruk in de vriezer.	Wacht 2-3 minuten totdat de onderdruk verdwenen is en probeer het nog eens.
Trillingen en ongewoon lawaai.	De vriezer staat niet op een egaal vlak. De vriezer staat niet vrij. Manden of de scheidswand zitten los.	Plaats de vrieskist op een egale, vlakke en stabiele onderlaag. Verwijder de vriezer van meubelen of andere apparaten. Controleer de verplaatsbare delen en zet ze weer terug.

Reservedelen

Reservedelen

Vermeld a.u.b. het type-, serie- en productienummer, wanneer u reservedelen bestelt (zie fig. 1 blz. 3 en fig. 10). Deze gegevens vindt u op het typeplaatje achterop de vriezer. Het typeplaatje bevat verschillende technische gegevens en het type- en serienummer.

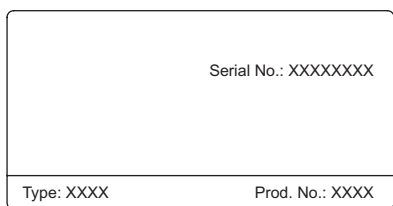


fig. 10

Zorg ervoor altijd erkende servicemonteurs te gebruiken als iets gerepareerd of vervangen moet worden!

Verschroten

Neem de geldende milieubepalingen in acht. De gemeentelijke technische dienst kan u vertellen hoe het ophalen/afleveren en hergebruik van dergelijke kasten in uw gemeente gebeurt.

Dit apparaat is voorzien van het merkteken volgens de Europese richtlijn 2002/96/EG inzake Afdankte elektrische en elektronische apparaten (AEEA).

Door ervoor te zorgen dat dit product op de juiste manier als afval wordt verwerkt, helpt u mogelijk negatieve consequenties voor het milieu en de menselijke gezondheid te voorkomen die anders zouden kunnen worden veroorzaakt door onjuiste verwerking van dit product als afval.



Het symbool  op het product of op de bijbehorende documentatie geeft aan dat dit product niet als huishoudelijk afval mag worden behandeld. In plaats daarvan moet het worden afgegeven bij een verzamelpunt voor recycling van elektrische en elektronische apparaten.

Afdanking moet worden uitgevoerd in overeenstemming met de plaatselijke milieuvoorschriften voor afvalverwerking.

Voor nadere informatie over de behandeling, terugwinning en recycling van dit product wordt u verzocht contact op te nemen met het stadskantoor in uw woonplaats, uw afvalophaaldienst of de winkel waar u het product heeft aangeschaft.

Antes del uso

Antes de poner en funcionamiento su nuevo electrodoméstico, por favor lea cuidadosamente las siguientes instrucciones ya que contienen información importante sobre seguridad, instalación, operación y mantenimiento. Conserve las instrucciones para referencia futura.

Al recibir el aparato, inspecciónelo para cerciorarse de que no se haya dañado durante el transporte. Le recomendamos informar al proveedor local sobre los daños ocurridos durante el transporte antes de poner en funcionamiento el congelador horizontal.

Retire el material de embalaje. Limpie el interior del aparato con agua tibia y un detergente suave sin perfume. Enjuague con agua limpia y seque completamente (véanse las instrucciones de limpieza). Utilice un paño blando.

Si el congelador se almacena en entornos fríos (a temperaturas inferiores a +5 °C), deberá estar apagado como mínimo 1 hora antes de entrar en funcionamiento.

Si durante el transporte se pone de canto el congelador horizontal, ésta deberá permanecer en posición normal aproximadamente doce horas antes de encenderla.

Advertencia

Dado que el refrigerante que se utiliza en este electrodoméstico es un gas inflamable (Isobutano R600a), es necesario tener especial cuidado para prevenir daños a la tubería y al circuito durante el transporte y la instalación.

Si ocurren daños, evite chispas o la presencia de llamas en las cercanías del electrodoméstico, cerciórese de que la habitación esté bien ventilada, desconecte la fuente de alimentación eléctrica, y comuníquese con su proveedor.

Sólo deberán efectuar reparaciones de la unidad los técnicos calificados de un centro

de servicio autorizado.

Electrodomésticos caducados

Los refrigeradores y congeladores caducados a menudo vienen equipados con cerrojos complicados que únicamente pueden abrirse desde el exterior. Si tiene una de estas unidades almacenada en algún lugar, o si desecha alguna, no se olvide de destruir primero el cerrojo. De esta forma impedirá que los niños queden atrapados en el interior y que su vida corra peligro.

Índice

Conozca su congelador horizontal...	3
Instalación y puesta en marcha inicial.....	4
Conexión eléctrica.....	5
Operación y funcionamiento.....	6
Empleo.....	7
Descongelación.....	8
Limpieza y mantenimiento.....	9
Lista de localización de fallos.....	10
Repuestos.....	11
Eliminación del aparato.....	12

Conozca su congelador horizontal

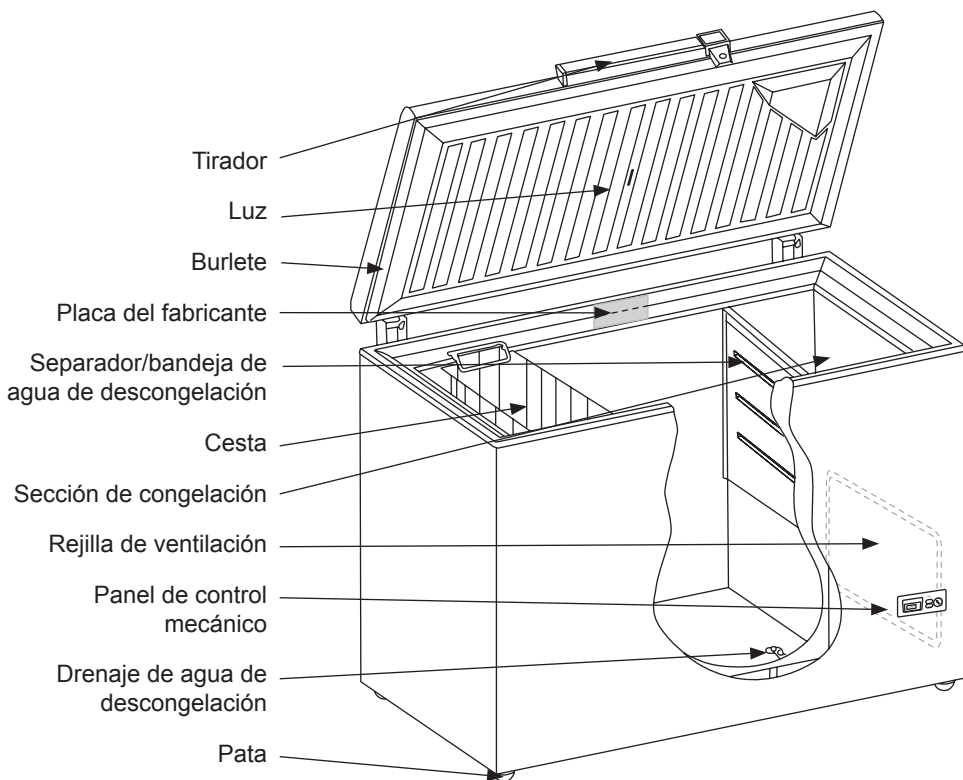


Figura 1

Instalación y puesta en marcha inicial

Ubicación

Por motivos de seguridad y funcionamiento, no se debe instalar el aparato en exteriores.

Coloque el congelador sobre una superficie nivelada, horizontal y estable en una habitación seca y bien ventilada (con un máximo de 75% de humedad relativa del aire).

Nunca lo coloque cerca de fuentes de calor tales como estufas o radiadores, y evite colocarlo bajo la luz solar directa.

Temperatura ambiente

La clase de clima se indica en la placa del fabricante (véase la fig. 1, página 3 y la fig. 10, página 12). Este cuadro especifica las temperaturas ambiente óptimas.

Clase de clima	Temperatura ambiente óptima
SN	+10 °C a +32 °C
N	+16 °C a +32 °C
ST	+18 °C a +38 °C
T	+18 °C a +43 °C

Si la temperatura ambiente es inferior al punto de congelación el congelador no funcionará con normalidad.

Ventilación

Es importante que el congelador esté bien ventilado y que el aire pueda circular sin obstáculos por arriba, debajo y alrededor del mismo. La figura 2 indica cómo asegurar la circulación necesaria alrededor del congelador.

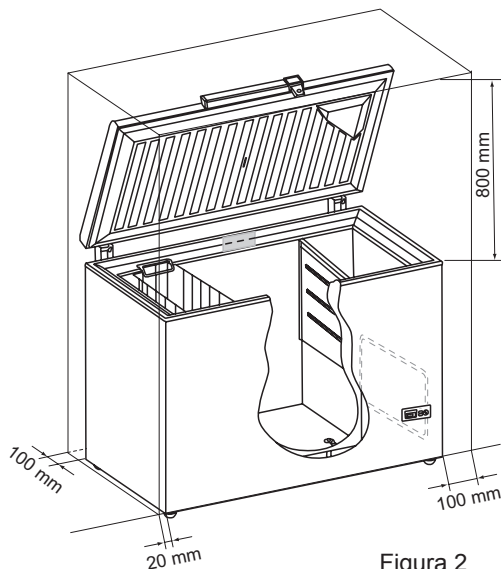


Figura 2

Entre la base del congelador y el suelo debe haber un espacio de 15 mm.

¡IMPORTANTE! Debe haber libre acceso a la rejilla de ventilación (fig. 3).

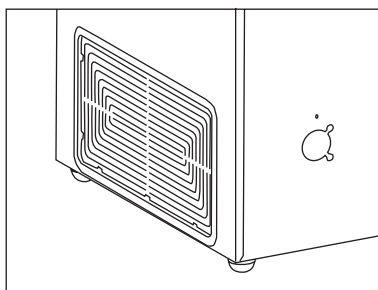


Figura 3

Conexión eléctrica

El electrodoméstico está diseñado para funcionar con corriente alterna. El voltaje (V) y la frecuencia (Hz) se indican en la placa del fabricante en la parte posterior del congelador. Se debe conectar la alimentación eléctrica a través de un enchufe mural independiente.

Si se daña el conductor principal, será necesario reemplazarlo con un tipo de conductor equivalente suministrado por el fabricante o por un centro de servicio autorizado.

Datos técnicos

Este electrodoméstico cumple con las normativas, directivas y estándares de la marca CE.

Directiva de Bajo Voltaje 73/23/CEE

Directiva EMC 89/336/CEE.

Directiva 92/75/CEE sobre la indicación del consumo de energía, y las enmiendas posteriores de las Directivas 94/2 y 2003/66

Directiva 96/57/CEE sobre los requisitos de rendimiento energético, y enmiendas posteriores.

Operación y funcionamiento

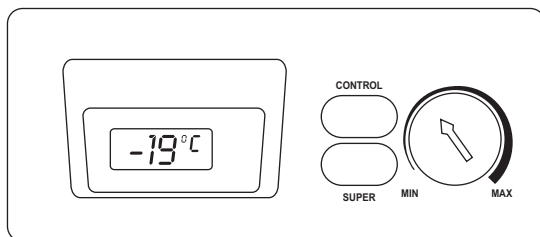


Figura 4

Controles mecánicos

El panel de control incluye, además del botón del termostato (fig. 4), dos luces de control y un interruptor. Puede haber pequeñas diferencias en el diseño de los paneles y en cómo están colocadas las luces entre sí.

La luz verde se enciende cuando se recibe alimentación eléctrica.

La luz roja se enciende cuando la temperatura en el congelador es superior al valor establecido del termostato.

La luz amarilla se enciende cuando se presiona el interruptor Super Freeze (véase supercongelación Super Freeze).

Alarma acústica (no en todos los modelos)
 Cuando se encienda la luz roja se activará una alarma acústica. La alarma se apaga cuando se activa el botón amarillo.

Puesta en marcha inicial

El aparato se conecta al enchufe mural. La luz verde se enciende para indicar que el congelador recibe corriente eléctrica. Se enciende la luz roja en el panel de control porque la temperatura en el congelador aún no es lo suficientemente baja.

Ajuste de la temperatura

La temperatura se establece haciendo girar el botón del termostato de MIN a MAX. Se recomienda utilizar una moneda. Cuanto más se hace girar el botón del termostato hacia MAX, más baja es la temperatura. El valor correcto se logra midiendo la temperatura del paquete superior en el centro del congelador. Su temperatura no debería sobrepasar los $-18\text{ }^{\circ}\text{C}$.

Supercongelación Super Freeze

Para congelar más de 3 kg debe hacerse lo siguiente:

1. Presione el interruptor Super Freeze (se enciende la luz amarilla). Ahora el congelador funciona al máximo rendimiento (el compresor funciona ininterrumpidamente).
2. Active la función Super Freeze 24 horas antes de introducir los nuevos artículos en el congelador.
3. Introduzca los artículos en el congelador y continúe con la función Super Freeze durante 24 horas más.
4. A continuación, presione el botón para desactivarlo (se apaga la luz amarilla).

Empleo

El congelador

El congelador horizontal es un congelador de cuatro estrellas de uso aprobado para congelar y almacenar alimentos.

Congelación

Para mantener los alimentos en óptimas condiciones, es necesario congelarlos a -18°C lo más rápidamente posible.

La capacidad de congelación del aparato se indica en la placa del fabricante en kg/24 horas (véase fig. 1, página 3 y fig. 10, página 16).

La activación de la función Super Freeze reduce la temperatura del congelador a -25°C . Si se desea congelar artículos de 3 kg de peso o más, se recomienda activar el botón Super Freeze con aproximadamente 24 horas de antelación.

Para congelar cantidades menores, es suficiente activar la función Super Freeze con sólo un par de horas de antelación, o incluso al mismo tiempo de colocar los artículos en el congelador.

No es necesario utilizar la función Super Freeze al colocar artículos precongelados en el congelador o en caso de paquetes pequeños.

Únicamente congele productos frescos de alta calidad. Las carnes, aves, pescado, verduras, fruta, productos lácteos y alimentos preparados son adecuados para la congelación. Los artículos con alto contenido de agua, por ejemplo, lechugas, rábanos, uvas, manzanas, peras y pepinos no son adecuados para la congelación.

Los artículos deben congelarse en envases sellados, bolsas para congelador o similares. Procure congelar los artículos en porciones adecuadas. No congele ni verduras ni carnes en porciones superiores a 2,5 kg. Mantenga secos los paquetes para evitar que se peguen. Para lograr la congelación rápida, cerciórese, en la medida de lo posible, de que los artículos colocados en el congelador no hagan contacto entre sí. Cerciórese de que haya

la menor cantidad posible de aire en el interior de los paquetes para evitar que se resequen las superficies de los alimentos. Los productos que se desee congelar deben colocarse en la sección de congelación o repartidos a lo largo de las paredes internas del congelador.

Recuerde siempre anotar en los paquetes la fecha, contenido y cantidad del producto antes de colocarlos en el congelador.

Se recomienda agrupar los artículos en el congelador. Mantenga las verduras en un cajón, la carne en otro, y así sucesivamente.

No deben almacenarse los alimentos unos sobre otros a una altura superior a 5 mm por debajo de la cara inferior de la tapa.

Los alimentos que se conservan en las cestas son visibles y de fácil acceso (fig. 6).



Figura 6

Descongelación

No es necesario descongelar las frutas ni las verduras antes de consumirlas, puede limitarse a sumergirlas directamente en agua hirviendo.

Para descongelar carne, se recomienda sacarla del congelador el día anterior al consumo y colocarla en el refrigerador. Esto asegura la mejor higiene y mantiene la óptima calidad de la carne.

Aviso:

Nunca se debe colocar en el congelador bebidas carbonatadas o efervescentes (sean éstas embotelladas o en latas) ya que pueden explotar.

Descongelación

Los artículos almacenados y la humedad del aire generan gradualmente escarcha y hielo en el congelador. Una capa delgada de escarcha o hielo no afecta al funcionamiento del congelador, pero a medida que aumenta el grosor de la capa, será mayor el consumo energético. Se puede retirar la escarcha suelta con ayuda de un raspador plástico.

Nunca use aparatos eléctricos o instrumentos afilados ya que con ello se puede dañar el interior del aparato.

Cuando la capa de escarcha exceda de 4-5 mm de grosor será necesario descongelar el congelador. Se recomienda descongelar el congelador cuando hayan pocos o ningún artículo en el electrodoméstico.

Proceda de la manera siguiente:

1. Presione el botón Super Freeze 4-5 horas antes de descongelar el congelador. Esta acción baja la temperatura de los artículos almacenados a aproximadamente -25 °C, y prolonga así el tiempo que éstos permanecen congelados fuera del congelador (véase el paso 3).
2. Desconecte la alimentación eléctrica.
3. Retire los alimentos. Consérvelos en el refrigerador o bien envasados de forma que se reduzca al máximo la descongelación.
4. Deje abierta la tapa.
5. Coloque el separador bajo la salida del agua de descongelación.
6. Coloque un recipiente de agua caliente (pero no hirviendo) en el congelador, cierre la tapa y espere aprox. 30 minutos, raspando a continuación la capa de escarcha con el raspador de plástico.

7. Para prevenir que el suelo se moje durante el proceso de descongelación, es necesario vigilar la bandeja de agua de descongelación. Debería cubrirse el suelo alrededor del desagüe de agua de descongelación como protección contra el hielo y las salpicaduras. Cuando se haya derretido todo el hielo, limpie el interior con una solución de agua y detergente suave sin perfume. Pase un paño blando.
8. Conecte la alimentación eléctrica. Si piensa volver a colocar muchos artículos en el congelador, active el botón Super Freeze.
9. Vuelva a colocar los artículos en el congelador aproximadamente 5 minutos después de encenderlo.

Recuerde volver a colocar el tapón en el desagüe de agua de descongelación.

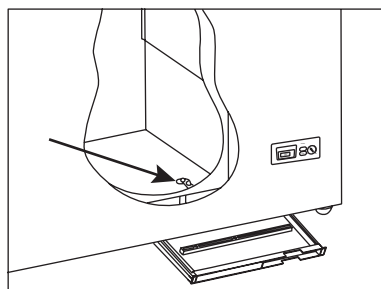


Figura 8

Limpieza y mantenimiento

Limpieza

Antes de limpiar el aparato debe extraerse el enchufe y vaciar el interior de todos los accesorios móviles.

El congelador horizontal se limpia de forma óptima con una solución de agua tibia a la que se añade un poco de detergente sin perfume (máx. 65 °C). Nunca use agentes de limpieza abrasivos. Utilice un paño blando. Enjuague con agua limpia y séquelo completamente. Es importante impedir que el agua entre en el panel de control.

Es necesario limpiar regularmente el burlete de la tapa para prevenir la decoloración y para prolongar la vida útil de servicio. Use agua limpia. Después de limpiar el burlete, verifique que continúe proporcionando un sello hermético.

Debe mantenerse la rejilla de ventilación libre de suciedad e impurezas. Debe limpiarse con una aspiradora.

Si va a ausentarse durante algún tiempo, desconecte el aparato y extraiga el enchufe, vacíe y limpie el congelador y deje la tapa abierta para prevenir malos olores.

Cambio de bombilla

1. Desconecte la corriente eléctrica en el interruptor y extraiga el enchufe.
2. Desmonte la pantalla de la luz (fig. 9). Oprima la pantalla de la luz para que se libere de las dos grapas.
3. Cambie la(s) bombilla(s).
4. Monte la pantalla y conecte la corriente eléctrica.

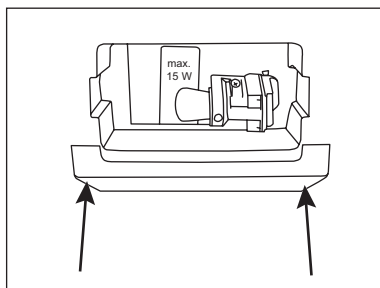


Figura 9

Ahorre energía

- Enfríe los alimentos y bebidas calientes antes de colocarlos en el congelador.
- Descongele los artículos congelados en el refrigerador.
- Mantenga cerrada la tapa el mayor tiempo posible.
- Compruebe periódicamente que la tapa cierre herméticamente.
- Instale el congelador en una habitación fresca (mín. 5 °C) y bien ventilada.
- Coloque los alimentos congelados en el refrigerador mientras se descongela el congelador.
- Descongele el congelador antes de que la capa de hielo se vuelva demasiado espesa.

Lista de localización de fallos

Fallo	Causa posible	Solución
No se encienden las luces de control.	El aparato está apagado. Interrupción de alimentación eléctrica; el fusible está fundido; el electrodoméstico no está enchufado correctamente.	Controle la clavija y el interruptor. Verifique que esté conectada la alimentación eléctrica. Restablezca el fusible.
La temperatura en el congelador es demasiado alta.	Está bloqueada la rejilla de ventilación. No se ha cerrado correctamente la tapa del congelador. La cantidad de artículos colocados de una vez en el congelador es mayor que la capacidad del congelador. Capa gruesa de escarcha y hielo. Se ha seleccionado una temperatura demasiado elevada para el termostato.	Procure que no se bloquee la circulación del aire. Cierre la tapa y espere un par de horas. Espere un par de horas. Descongele el congelador. Seleccione un valor más bajo de temperatura para el termostato.
La temperatura en el congelador es demasiado baja.	Se ha activado la función Super Freeze. Se ha seleccionado una temperatura demasiado baja para el termostato. La tapa hace contacto con los productos en el congelador.	Desconecte la función Super Freeze. Seleccione una temperatura más elevada para el termostato. Cambie la posición de los artículos y compruebe que la tapa cierre correctamente.
El congelador se cubre de escarcha.	La habitación es muy húmeda. Los artículos emiten humedad.	Aíree con frecuencia o traslade el congelador a una habitación menos húmeda. Envuelva de nuevo los artículos.
La tapa no puede abrirse.	Descenso de presión en el congelador.	Espere 2-3 minutos hasta que desaparezca el descenso de presión y pruebe de nuevo.
Vibración y ruidos molestos.	El aparato no está nivelado. El aparato hace contacto con otros elementos. Las cestas o el separador están sueltos.	Coloque el congelador horizontal sobre una base nivelada y estable. Aléjelo de muebles u otros aparatos. Inspeccione los accesorios móviles y colóquelos de nuevo.

Repuestos

Repuestos

Por favor indique el tipo de producto y número de serie, así como el de producción al hacer pedidos de repuestos (véase la fig. 1, página 3 y la fig. 10). Esta información se incluye en la placa del fabricante situada detrás del aparato. La placa del fabricante contiene diversa información técnica, incluido el tipo de aparato y el número de serie.

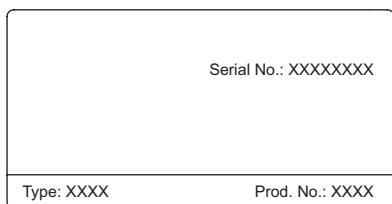


Figura 10

Aviso: ¡Siempre use los centros autorizados de servicio cuando su electrodoméstico necesite reparaciones o repuestos!

Eliminación del aparato


Además, al desechar el electrodoméstico es imperativo cumplir las normativas de protección del medio ambiente.

Para desechar el electrodoméstico le recomendamos comunicarse con el departamento técnico de la autoridad pertinente en su localidad, donde le informarán sobre cómo se realizan la recolección y el reciclaje de dichas unidades en su región.

Este aparato lleva el marcado CE en conformidad con la Directiva 2002/96/EC del Parlamento Europeo y del Consejo sobre residuos de aparatos eléctricos y electrónicos (RAEE).

La correcta eliminación de este producto evita consecuencias negativas para el medioambiente y la salud.



El símbolo  en el producto o en los documentos que se incluyen con el producto, indica que no se puede tratar como residuo doméstico. Es necesario entregarlo en un punto de recogida para reciclar aparatos eléctricos y electrónicos. Deséchelo con arreglo a las normas medioambientales para eliminación de residuos.

Para obtener información más detallada sobre el tratamiento, recuperación y reciclaje de este producto, póngase en contacto con el ayuntamiento, con el servicio de eliminación de residuos urbanos o la tienda donde adquirió el producto.

Před použitím

Před prvním uvedením vašeho nového spotřebiče do provozu si prosím pozorně přečtěte následující instrukce, neboť obsahují důležité informace o jeho bezpečné instalaci, provozu a údržbě. Uschovejte tyto instrukce pro budoucí použití.

Při převzetí zkontrolujte a ujistěte se, zda mraznička nebyla během přepravy poškozena. Poškození vzniklé během přepravy je třeba před uvedením do provozu oznámit místnímu dodavateli.

Odstraňte obal. Vymyjte vnitřek skříňe mrazničky vlažnou vodou s jemným neparfémovaným mycím prostředkem. Spláchněte čistou vodou a důkladně osušte (viz pokyny pro čištění). Používejte měkký hadřík.

Pokud byla mraznička uskladněna v chladném prostředí (chladněji než +5 °C), nechte jí před použitím minimálně 1 hodinu vytemperovat.

Pokud byla mraznička přepravována ve stoje, měla by, než ji připojíte, asi půl dne stát v normální poloze.

Upozornění

Jako chladicí médium je v tomto spotřebiči použit hořlavý plyn (isobutan R600a). Během přepravy a instalace je třeba dbát zejména na to, aby nedošlo k poškození chladicího okruhu a trubek.

Pokud dojde k poruše, zabraňte jiskření nebo výskytu otevřeného plamene v blízkosti spotřebiče, zajistěte dobré větrání místnosti, vypněte spotřebič ze zásuvky a obraťte se na svého dodavatele.

Opravu zařízení musí provádět pouze kvalifikovaný odborník z autorizovaného střediska servisu.

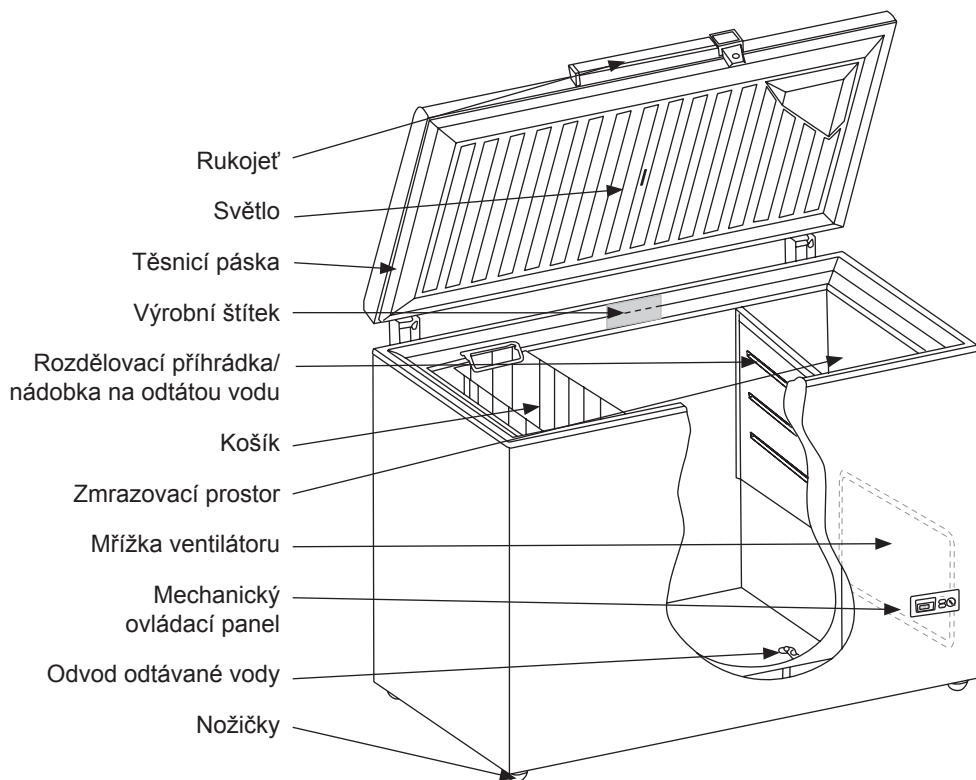
Vysloužilé spotřebiče

Vysloužilé chladničky a mrazničky bývají často vybaveny složitými západkami, které lze otevřít pouze zvenku. Pokud máte takový model nebo ho chcete dát do odpadu, nezapomeňte nejdříve odstranit západku. Zabráňte tomu, že se děti při hraní uvnitř uzavřou a tím se vystaví nebezpečí.

Obsah

Seznamte se s mrazničkou.....	3
Uvedení do provozu a instalace.....	4
Zapojení do sítě.....	5
Provoz a funkce.....	6
Použití.....	7
Odmrazování.....	8
Čištění a údržba.....	9
Seznam odstraňování poruch.....	10
Náhradní díly.....	11
Likvidace.....	12

Seznamte se s mrazničkou



Obrázek 1

Uvedení do provozu a instalace

Umístění

Z bezpečnostních a provozních důvodů nesmí být spotřebič umístěn venku.

Mrazničku umístěte na rovnou, do roviny vyrovnanou a stabilní plochu v suché a dobře větrané místnosti (max. 75% relativní vlhkosti vzduchu).

Nikdy neinstalujte spotřebič v blízkosti tepelných zdrojů, jako jsou sporáky nebo radiátory a vyhněte se umístění spotřebičů na přímém slunci.

Okolní teplota

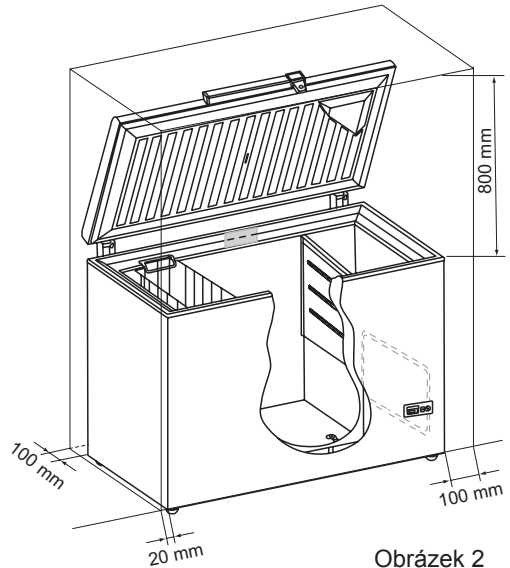
Klimatická třída je uvedena na výrobním štítku (viz obrázek 1 na straně 3 a obrázek 10 na straně 12). Specifikuje za jaké okolní teploty mraznička pracuje optimálně.

Klimatická třída	Optimální okolní teplota
SN	+10 °C do +32 °C
N	+16 °C do +32 °C
ST	+18 °C do +38 °C
T	+18 °C do +43 °C

Pokud je okolní teplota místnosti pod bodem mrazu, nebude mraznička normálně pracovat..

Ventilace

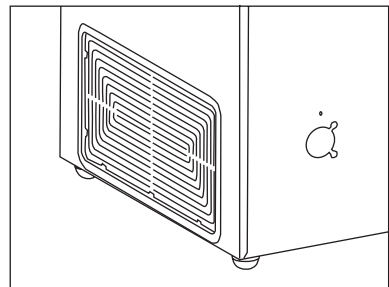
Je důležité, aby spotřebič byl dobře odvětráván a aby nad, pod a kolem spotřebiče mohl cirkulovat vzduch. Obrázek 2 ukazuje jak kolem spotřebiče zajistit nutnou cirkulaci.



Obrázek 2

Mezi dnem mrazničky a podlahou má být 15 mm mezera.

DŮLEŽITÉ! Ventilační rošt musí být volně přístupný (obr. 3).



Obrázek 3

Zapojení do sítě

Spotřebič je určen pro zapojení do sítě se střídavým proudem. Požadované napětí (V) a frekvence (Hz) jsou uvedeny na výrobním štítku vzadu na spotřebiči. Spotřebič musí být připojen do sítě pomocí nezávislé nástěnné zásuvky.

Pokud byl přívodní kabel poškozen, musí být nahrazen odpovídajícím typem dodaným výrobcem nebo schváleným střediskem servisu.

Technické údaje

Tento spotřebič splňuje nařízení, směrnice a normy pro udělení označení CE.

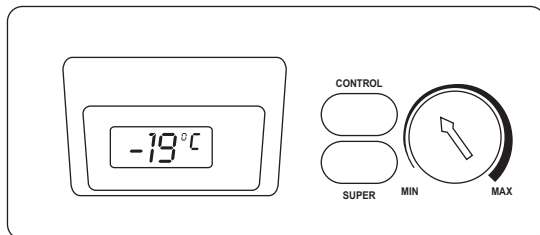
Směrnice o nízkém napětí 73/23/EHS.

EMC směrnice 89/336/EHS.

Směrnice 92/75/EHS o značení domácích spotřebičů jak bylo zavedeno nařízením 94/2/ES a následnou změnou 2003/66/ES.

Směrnice 96/57/ES o požadavcích na energetickou účinnost a následné změny.

Provoz a funkce



Obrázek 4

Mechanické ovládání

Na ovládacím panelu jsou kromě tlačítka termostatu (obr. 4) dvě kontrolní světýlka a jeden spínač. Design panelu se může lišit a také se může lišit vzájemné umístění kontrolních světýlek.

Zelené světýlko svítí, když je správný přívod el. proudu.

Žluté světýlko svítí, když je stisknuté tlačítko rychlého zmrazování (viz. rychlé zmrazování).

Zapnutí

Zapojte spotřebič do zásuvky. Rosvítí se zelené světýlko jako známka, že mraznička je připojena ke zdroji el. proudu. Svítí i červené světýlko, protože teplota uvnitř mrazničky není dostatečně nízká.

Nastavení teploty je příliš vysoké. Teplotu nastavíte, když budete otáčet knoflíkem termostatu od MIN do MAX. Doporučujeme používat minci. Čím více otačíte knoflíkem termostatu směrem k MAX, tím nižší bude teplota. Správnou teplotu dosáhnete měřením teploty na horním balíčku uprostřed mrazničky.

Neměla by být teplejší než $-18\text{ }^{\circ}\text{C}$.

Rychlé zmrazování

Při zmrazování více než 3 kg postupujte následovně:

1. Stiskněte na tlačítko pro rychlé zmrazování (svítí žluté světýlko). Mraznička pracuje na plný výkon (kompresor pracuje bez přestávky).
2. Tlačítko na rychlé zmrazování stiskněte 24 hodin před tím, než do mrazničky vložíte nové zboží.
3. Vložte do mrazničky zboží a dalších 24 hodin nechte zapojené rychlé zmrazování.
4. Pak stiskněte na tlačítko, to vyskočí (žluté světýlko zhasne).

Použití

Mraznička

Mraznička je čtyřhvězdičková a je schválena ke zmrazování a skladování potravin.

Zmrazování

Aby byly potraviny udrženy v co nejlepším stavu, musí být, pokud možno, co nejrychleji zmrazeny na teplotu $-18\text{ }^{\circ}\text{C}$. Zmrazovací kapacita mrazničky je uvedena na na typovém štítku v kg/24 hod (viz obr. 1 str. 3 a obr. 10 str 16).

Zapnutím funkce rychlého zamrazení se snižuje teplota v mrazničce na $-25\text{ }^{\circ}\text{C}$.

Pokud mají být zmrazeny potraviny o hmotnosti 3 kg a více, měla by být funkce rychlého zamrazení předem zapnuta po dobu přibližně 24 hodin.

Ke zmrazení menšího množství stačí zapnout funkci rychlého zamrazení jen několik hodin předem nebo dokonce v době ukládání potravin do mrazničky.

Funkci rychlého zamrazení není třeba zapínat při ukládání do chladničky předmražených potravin nebo malých jednotlivých kusů.

Zamrazujte pouze výrobky s vysokou jakostí. Vhodné pro zamrazení jsou maso, drůbež, ryby, zelenina, ovoce, mléčné výrobky a předem připravené pokrmy.

K zamrazení nejsou vhodné potraviny s vysokým obsahem vody, například salát, ředkvičky, hrozny, jablka, hrušky a okurky. Uložte potraviny, které mají být zamrazeny, do vzduchotěsných dóz nebo je vložte do sáčků určených pro mrazničky apod.

Zmrazujte potraviny ve vhodných dávkách. Nezamrazujte zeleninu nebo maso v dávkách větších než 2,5 kg. Dbejte na to, aby balení byla suchá a nepřimrzala k sobě. Abyste dosáhli rychlého zmrazení, zajistěte, pokud možno, aby se potraviny uložené v mrazničce navzájem nedotýkaly. Zajistěte,

pokud možno, co nejmenší obsah vzduchu v balení, abyste zabránili osychání povrchu potravin.

Zboží, které se má zmrazit umístěte dovnitř do prostoru mrazničky nebo rovnoměrně kolem vnitřních stěn.

Před uložením potravin do mrazničky nikdy nezapomeňte na balení napsat datum, obsah a množství. Vhodné je v mrazicí zásuvce skladovat potraviny stejného druhu. V jedné mrazicí zásuvce skladujte zeleninu, ve druhé maso atd.

Potraviny neukládejte výše než 5 mm pod víko.

Potraviny skladované v košíkách jsou viditelné a lehce dostupné (obr. 6).



Obrázek 6

Rozmrazování

Mražená zelenina a ovoce nevyžadují před použitím rozmrazení a mohou být vloženy do vroucí vody přímo po vyjmutí z mrazničky.

K rozmrazení masa se doporučuje, aby bylo vyjmuté z mrazničky 24 h před jeho použitím a uloženo v chladničce k rozmrazení. Tento postup zajišťuje nejlepší hygienické podmínky a zachovává co nejvyšší kvalitu potravin.

Poznámka:

Nápoje sycené kyslíčkem uhlíčitým nebo nápoje šumivé (ať už v láhvích nebo plechovkách) se nesmí nikdy do mrazničky ukládat, protože by mohly explodovat.

Odmrazování

Uskladněné potraviny a vlhkost vzduchu způsobují postupné vytváření námrazy a ledu uvnitř v mrazničce. Tenká vrstva námrazy a ledu neovlivní výkon mrazničky, ale čím tlustší je vrstva, tím vyšší je spotřeba energie. Přebytečná námraza může být odstraněna pomocí plastové škrabky.

Nikdy nepoužívejte elektrické přístroje nebo ostré předměty, které mohou poškodit vnitřní součásti spotřebiče.

Pokud vrstva námrazy nebo ledu převyší tloušťku 4-5 mm, mraznička by měla být úplně odmrázena. Mrazničku se doporučuje odmrázovat, když v ní je málo zboží nebo je prázdná.

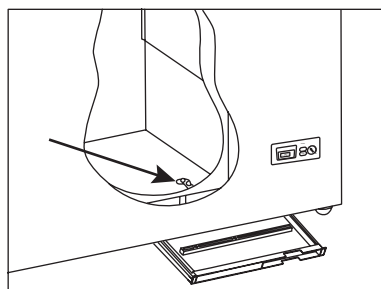
Postup odmrazení je následující:

1. Stiskněte tlačítko rychlého zamrazení 4-5 hodin před odmrazováním. Tímto způsobem se sníží teplota uložených potravin na teplotu přibližně $-25\text{ }^{\circ}\text{C}$, a tak se prodlouží doba, po kterou potraviny zůstanou po vyjmutí z mrazničky zmrazené (viz bod 3 níže).
2. Přerušete přívod elektrického proudu.
3. Vyjměte potraviny. Skladujte je v chladničce nebo zabalené, aby se zabránilo jejich rozmrazení.
4. Víko nechte otevřené.
5. Pod vývod odtáté vody umístěte rozdělovací příhrádku.
6. Do mrazničky postavte mísu s teplou (ne vařící) vodou, zavřete víko a čekejte asi 30 minut. Potom plastovou škrabkou odstraňte vrstvu námrazy.
7. Hlídejte vývod odtávané vody, aby voda při odtávání nevytekla na podlahu. U vývodu odtávané vody přikryjte podlahu a ochráňte ji od ledu a vody. Po roztání ledu vymyjte

vnitřek skříně roztokem jemného neperfémovaného mycího přípravku. Vytřete mrazničku do sucha jemným hadříkem.

8. Připojte ke zdroji elektrického proudu. Pokud je třeba do mrazničky znovu uložit mnoho potravin, aktivujte tlačítko rychlého zamrazení.
9. Potraviny uložte znovu do mrazničky přibližně pět minut poté, co je zapnuta.

Pozor, uzavřete vývod odtávané vody.



Obrázek 8

Čištění a údržba

Čištění

Před čištěním odpojte od zdroje proudu a vyndejte veškerý volný inventář.

Mraznička se nejlépe vyčistí roztokem vlažné vody s neparfémovaným mycím prostředkem. (max. 65 °C). Nikdy nepoužívejte abrazivní čisticí prostředky. Používejte měkký hadřík. Vymyjte čistou vodou a pečlivě vytřete do sucha. Důležité je, aby se voda nedostala na řídicí panel.

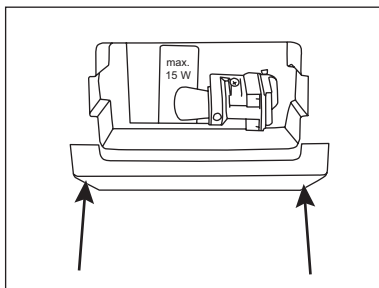
Těsnění kolem dveří je třeba pravidelně čistit, aby se zabránilo zbarvení a prodloužila se jeho životnost. Používejte čistou vodu. Po očištění těsnění ve dveřích zkontrolujte, zda dveře i nadále řádně těsní.

Rošt ventilátoru by neměl být zanešen špínou a nečistotou. Čistěte vysavačem.

Budete-li delší dobu na cestách, vypněte přívod proudu, vytahněte kabel ze zásuvky, vyprázdněte a vyčistěte prostor mrazničky a nechte víko otevřené, zabráníte tak nepříjemnému zápachu.

Výměna žárovky

1. Tlačítkem vypněte proud a vytahněte kabel ze zásuvky.
2. Odmontujte kryt světla (obr. 9). Kryt stiskněte, uvolní se ze 2 drážek.
3. Vyměňte žárovku(y).
4. Nasadte na světlo kryt a připojte elektrický proud.



Obrázek 9

Úspory energie

- Horké potraviny a nápoje nechte před jejich umístěním do mrazničky vychladnout.
- Rozmrazte zmrazené potraviny v chladničce.
- Dveře ponechte co nejvíce zavřené.
- Pravidelně kontrolujte zda víko doléhá.
- Umístěte mrazničku v chladné, (min. 5 °C) a dobře větrané místnosti.
- Zmrazené potraviny skladujte během odmrazování mrazničky v chladničce.
- Mrazničku odmrazte dříve než se vytvoří velká vrstva námrazy.

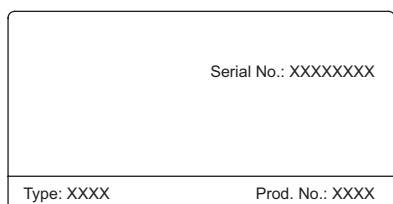
Seznam odstraňování poruch

Poruchy	Možné příčiny	Odstranění poruchy
Žádné kontrolní diody nesvítí.	Spotřebič je vypnutý. Porucha přívodu energie; pojistka je spálená; zástrčka spotřebiče není dobře zastrčena do zásuvky.	Překontrolujte zástrčku a zásuvku. Zkontrolujte přívod energie. Zapněte znovu pojistku.
Teplota v mrazničce je příliš vysoká.	Rošt ventilátoru je zanesen. Víko mrazničky není dobře zavřeno. Do mrazničky bylo najednou vloženo více zboží, než je než kapacita spotřebiče. Silná vrstva námrazy a ledu. Termostat je málo nastaven.	Zabezpečte volnou cirkulaci vzduchu. Zavřete víko a čekejte několik minut. Čekejte několik hodin. Odledněte mrazničku. Nastavte termostat do pozice na chladněji.
Teplota v mrazničce je příliš nízká.	Funkce rychlého zmrazování je aktivována. Termostat je nastaven na velmi chladno. Víko naráží na zboží uvnitř mrazničky.	Přerušete funkci rychlého zmrazování. Nastavte termostat do pozice tepleji. Přeložte zboží a překontrolujte, zda se víko dá správně zavřít.
V mrazničce se tvoří silná námraza.	Místnost je velmi vlhká. Ze zboží se odpařuje vlhkost.	Větrejte častěji nebo přestěhujte mrazničku do místnosti, která není tak vlhká. Přebalte zboží.
Víko se nedá otevřít.	V mrazničce je podtlak.	Počkejte 2-3 minuty než podtlak zmizí a zkuste znovu.
Vibrace a nenormální hluk.	Spotřebič nestojí na rovné ploše. Spotřebič nestojí volně. Košíky nebo dělicí příhrádky jsou uvolněné.	Umístěte mrazničku na rovnou a stabilní plochu a vyrovnejte. Posuňte spotřebič pryč od nábytku nebo jiných spotřebičů. Překontrolujte přemístitelné díly a opět je instalujte.

Náhradní díly

Náhradní díly

Když budete objednávat náhradní díly, tak uveďte prosím typové, sériové a výrobní číslo (viz obr. 1 str. 3 a 10). Tyto informace naleznete na typovém štítku na zadní straně spotřebiče. Typový štítek obsahuje různé technické informace včetně typu a sériového čísla.



Obrázek 10

Poznámka: Se žádostí o opravu nebo výměnu vašeho spotřebiče se vždy obračejte na schválená servisní střediska!


Likvidace

Je třeba rovněž dodržovat environmentální předpisy pro likvidaci spotřebiče. Při likvidaci spotřebiče byste se měli obrátit na technické oddělení městského úřadu, které vás bude informovat, jak se provádí sběr a recyklace takových zařízení ve vaší oblasti.

Tento spotřebič je označený v souladu s evropskou směrnicí 2002/96/ES o likvidaci elektrického a elektronického zařízení (WEEE).

Zajištěním správné likvidace tohoto výrobku pomůžete zabránit případným negativním důsledkům na životní prostředí a lidské zdraví, ke kterým by nevhodnou likvidací tohoto výrobku mohlo dojít.



Symbol  na výrobku nebo na dokumentech přiložených k výrobku udává, že tento spotřebič nepatří do domácího odpadu. Spotřebič je nutné odvézt do sběrného místa pro recyklaci elektrického a elektronického zařízení.

Likvidace musí být provedena v souladu s místními předpisy o ochraně životního prostředí, které se týkají likvidace odpadu. Podrobnější informace o zpracování, rekuperaci a recyklaci tohoto výrobku zjistíte u příslušného místního úřadu, služby pro likvidaci domovního odpadu nebo v obchodě, kde jste výrobek zakoupili.

UWAGA!

Środkiem chłodzącym w urządzeniu jest palny gaz (Izobutan R600a), należy więc szczególnie uważać, aby nie uszkodzić obwodów ani przewodów podczas transportu i instalacji.

W razie powstania uszkodzenia, należy chronić urządzenie przed iskrami i otwartym płomieniem, dokładnie wywietrzyć pomieszczenie, odciąć dopływ prądu, jeśli zamrażarka została już podłączona i skontaktować się z dostawcą.

Serwis urządzenia może być wykonywany tylko przez kompetentnych pracowników centrów serwisowych.

Urządzenia wyeksploatowane

Stare lodówki i zamrażarki często wyposażone są w skomplikowane zamki zatrzaskowe, które można otworzyć tylko od zewnątrz. Jeśli takie urządzenie stoi na terenie Państwa posesji, bądź też jeśli zamierzają Państwo się go pozbyć, należy koniecznie zniszczyć zamek, aby nie narażać na śmiertelne niebezpieczeństwo dzieci, które podczas zabawy mogą się zatrzaskać wewnątrz urządzenia.

Utylizacja

Urządzenie zawiera materiały nadające się do powtórnego użycia. Przy utylizacji należy usunąć wtyczkę przewodu zasilającego oraz pokrywę. Porzucona zamrażarka z pokrywą może stanowić wielkie zagrożenie dla bawiących się dzieci.

Należy przestrzegać obowiązujących przepisów w zakresie ochrony środowiska. Informacji o zbiórce i utylizacji urządzeń AGD na terenie danej gminy udziela wydział ds. technicznych urzędu gminy /przyp. Tłum.: w Polsce wydział ochrony środowiska/.

Przed rozpoczęciem eksploatacji

Przed rozpoczęciem eksploatacji nowej

zamrażarki należy dokładnie zapoznać się z instrukcją obsługi. Zawiera ona ważne informacje o wymogach bezpieczeństwa, sposobie podłączenia, eksploatacji oraz konserwacji urządzenia. Instrukcję należy zachować. Może być jeszcze kiedyś potrzebna.

Gdy urządzenie zostanie dostarczone, należy upewnić się, że nie jest ono uszkodzone. O szkodach powstałych podczas transportu należy powiadomić sprzedającego przed rozpoczęciem eksploatacji.

Zdejmij opakowanie. Umyj wnętrze urządzenia letnią wodą z dodatkiem delikatnego, bezzapachowego płynu do mycia naczyń. Zmyj czystą wodą i dokładnie wytrzyj (patrz: wskazówki dot. czyszczenia urządzenia). Używać miękkiej szmatki.

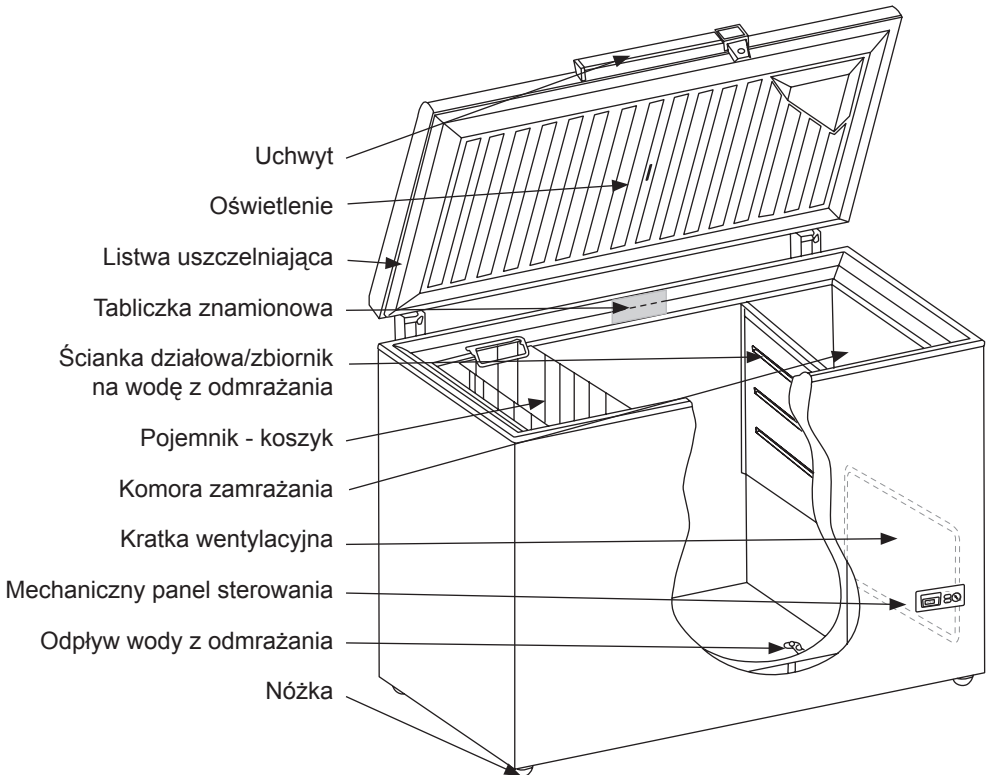
Jeżeli zamrażarka przechowywana była w magazynie w temperaturze poniżej +5°C, należy odczekać minimum 1 godzinę przed jej podłączeniem.

Jeżeli zamrażarka transportowana była w pozycji pionowej, należy ustawić ją we właściwej pozycji i odczekać ok. 12 godzin przed jej podłączeniem.

Spis treści

Budowa urządzenia.....	3
Ustawienie i warunki pracy urządzenia.....	4
Podłączenie zasilania.....	5
Obsługa i funkcje.....	6
Zastosowanie.....	7
Rozmrażanie urządzenia.....	8
Czyszczenie i konserwacja.....	9
Lokalizacja usterek.....	10
Części zamienne oraz.....	11
Usuwanie.....	12

Budowa urządzenia



Rys. 1

Ustawienie i warunki pracy urządzenia

Ustawienie

Ze względu na wymogi bezpiecznej eksploatacji, urządzenie nie może pracować na zewnątrz.

Ustaw zamrażarkę na równym, poziomym i stabilnym podłożu w suchym pomieszczeniu z dobrą wentylacją (maks. 75% wilgotności względnej).

Zwróć uwagę, by w bezpośrednim pobliżu nie było źródeł ciepła takich jak kuchenka lub grzejnik; chroni przed bezpośrednim działaniem promieni słonecznych oraz wysokiej temperatury.

Temperatura otoczenia

Informacja o klasie klimatycznej urządzenia znajduje się na tabliczce znamionowej (patrz: rys. 1 str. 3 i rys. 10 str. 12).

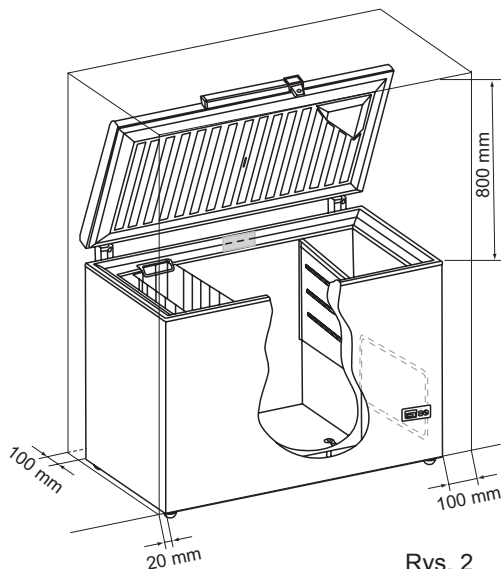
Wskazuje ona, w jakiej temperaturze otoczenia (tj. pomieszczenia, w którym pracuje) zamrażarka działa optymalnie.

Klasa klimatyczna	Dozwolona temperatura otoczenia
SN	od +10 °C do +32 °C
N	od +16 °C do +32 °C
ST	od +18 °C do +38 °C
T	od +18 °C do +43 °C

Jeżeli temperatura otoczenia jest ujemna, zamrażarka nie będzie działała poprawnie.

Wentylacja

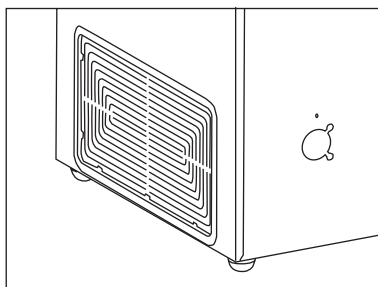
Należy zadbać o odpowiednią wentylację pomieszczenia i swobodny obieg powietrza ze wszystkich stron urządzenia. Rys. 2 pokazuje, w jaki sposób zapewnić niezbędną cyrkulację powietrza wokół zamrażarki.



Rys. 2

Odległość między podstawą urządzenia a podłożem powinna wynosić 15 mm.

UWAGA! Należy zapewnić swobodny dostęp do kratki wentylacyjnej (rys. 3).



Rys. 3

Podłączenie zasilania

Zamrażarka przystosowana jest do zasilania prądem zmiennym. Wartości napięcia (V) i częstotliwości (Hz) podane są na tabliczce znamionowej z tyłu urządzenia. Urządzenie musi być podłączone do własnego gniazdka zasilania.

W przypadku uszkodzenia przewodu sieciowego, należy go wymienić na przewód dostarczony przez producenta lub przedstawiciela serwisowego.

Dane techniczne

Urządzenie spełnia wymogi przepisów, dyrektyw i standardów obowiązujących dla oznakowania znakiem CE.

Dyrektywa Niskiego Napięcia 73/23/EWG.

Dyrektywa 89/336/EWG dot.

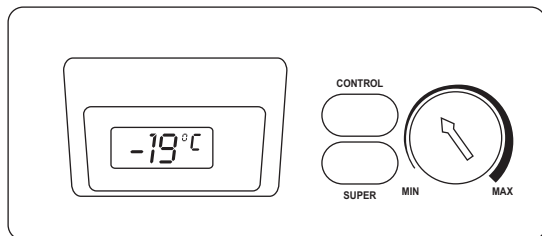
kompatybilności elektromagnetycznej (EMC).

Dyrektywa 92/75 w sprawie etykietowania energetycznego z późniejszymi zmianami zawartymi w dyrektywach 94/2 i 2003/66.

Dyrektywa 96/57 o wydajności

energetycznej z późniejszymi zmianami.

Obsługa i funkcje



Rys. 4

Mechaniczny panel kontrolny

Oprócz pokrętki termostatu (rys. 4), na panelu znajdują się dwie kontrolki oraz włącznik. Mogą występować niewielkie różnice w wyglądzie paneli i położeniu poszczególnych kontroltek.

Zapalona zielona kontrolka sygnalizuje prawidłowe zasilanie.

Kontrolka żółta zapala się, gdy włączona jest funkcja szybkiego zamrażania (patrz: opis funkcji szybkiego zamrażania).

Uruchomienie

Po podłączeniu przewodu zasilającego do gniazdka zapala się zielona kontrolka na znak, że następuje dopływ prądu do urządzenia. Kontrolka czerwona na panelu świeci, ponieważ temperatura w komorze zamrażarki jest zbyt wysoka.

Regulacja temperatury

Odpowiednią temperaturę ustawia się przekręcając pokrętkę termostatu w zakresie od MIN do MAX. Zaleca się stosowanie w tym celu monety. Im bliżej pozycji MAX ustawiony jest termostat, tym niższa będzie temperatura w komorze urządzenia.

Właściwą wartość ustala się mierząc temperaturę na powierzchni opakowania produktu umieszczonego na wierzchu w środkowej części komory zamrażarki. Nie powinna ona być wyższa niż $-18\text{ }^{\circ}\text{C}$.

Funkcja szybkiego zamrażania

Zamrażając produkty o łącznej wadze powyżej 3 kg należy:

1. Nacisnąć włącznik funkcji szybkiego zamrażania (zaświeci się żółta kontrolka). Zamrażarka osiąga najwyższą wydajność (kompresor pracuje bez przerwy).
2. Funkcję szybkiego zamrażania należy włączyć na 24 godziny przed włożeniem produktów.
3. Po włożeniu produktów do zamrażarki, funkcja szybkiego zamrażania powinna być aktywna jeszcze przez kolejne 24 godziny.
4. Następnie należy wyłączyć przycisk (żółta kontrolka zgaśnie).

Zastosowanie

Zamrażarka

Zamrażarka skrzyniowa 4-gwiazdkowa, zatwierdzona do użytku w zakresie zamrażania i przechowywania artykułów spożywczych.

Zamrażanie

W celu zachowania odpowiedniej jakości produktów, należy zamrażać je do temperatury $-18\text{ }^{\circ}\text{C}$ w możliwie najkrótszym czasie.

Informacja o wydajności urządzenia $\text{kg}/24\text{ godz.}$ znajduje się na tabliczce znamionowej (patrz: rys. 1 str. 3 i rys. 10 str. 16).

Uruchomienie funkcji szybkiego zamrażania obniża temperaturę do $-25\text{ }^{\circ}\text{C}$. Jeśli łączna waga zamrażanych jednocześnie produktów przekracza 3 kg , funkcję szybkiego zamrażania należy włączyć ok. 24 godziny wcześniej.

Przy mniejszych ilościach wystarczy włączyć ją na dwie godziny przed rozpoczęciem zamrażania, bądź też jednocześnie z włożeniem produktów.

Jeśli do urządzenia wkładamy już zamrożone produkty, lub pojedyncze niewielkie opakowania, nie trzeba stosować funkcji szybkiego zamrażania.

Zamrażać należy wyłącznie świeże artykuły spożywcze dobrej jakości. Mięso, drób, ryby, warzywa, owoce, przetwory mleczne i gotowe dania nadają się do zamrażania. Produkty o wysokiej zawartości wody, takie jak sałata, rzodkiewki, grejfruty, całe jabłka, ogórki i gruszki nie powinny być mrożone.

Zamrożone artykuły należy zapakować do szczelnych pojemników, specjalnych worków plastikowych, itp. Przed zamrażaniem najlepiej podzielić produkty na praktyczne porcje. Nie powinno się zamrażać warzyw ani mięsa w porcjach powyżej $2,5\text{ kg}$. Poszczególne opakowania powinny być suche, aby nie dopuścić do ich przymarzania. W celu przyspieszenia

mrożenia należy, na ile to możliwe, rozłożyć opakowania w taki sposób, aby się wzajemnie nie dotykały. Wyciśnij powietrze ze środka worków plastikowych, co zapobiegnie wysuszeniu powierzchni produktów.

Produkty przeznaczone do zamrożenia należy umieścić w komorze zamrażania lub rozłożyć równo wzdłuż ścian wewnętrznych zamrażarki.

Nie zapomnij opatrzyć każdego opakowania napisem informującym o jego zawartości, ilości oraz dacie zamrożenia. Warto podzielić artykuły spożywcze na kategorie, to znaczy przechowywać np. wszystkie warzywa razem w jednym miejscu, mięso w innym, itd.

Minimalna dopuszczalna odległość pomiędzy zamrożonymi produktami a pokrywą zamrażarki wynosi 5 mm .

Produkty przechowywane w specjalnych pojemnikach - koszykach są dobrze widoczne i łatwo dostępne (rys. 6).



Rys. 6

Rozmrażanie artykułów spożywczych. Zamrożonych warzyw i owoców nie należy rozmrażać przed użyciem, tylko wrzucać bezpośrednio do wrzącej wody.

Mięso najlepiej jest wyjąć z zamrażarki dzień wcześniej i rozmrażać powoli w lodówce. W ten sposób zapewnia się optymalną higienę i zachowuje najwyższą możliwą jakość mięsa.

Uwaga

Nie należy zamrażać butelek szklanych ani puszek z płynami zawierającymi dwutlenek węgla, ponieważ grozi to ich rozsadzeniem.

Rozmrażanie urządzenia

Wilgoć pochodząca z artykułów spożywczych i powietrza stopniowo pokrywa wewnątrz zamrażarki warstwą szronu i lodu. Cienka warstwa szronu nie wpływa ujemnie na funkcjonowanie urządzenia, ale im grubsza się ona staje, tym większe jest zużycie energii. Cienką warstwę szronu można zeskrobać plastikową łopatką.

Nigdy nie należy w tym celu stosować urządzeń elektrycznych ani ostrych przedmiotów, które mogłyby uszkodzić wewnątrz zamrażarki.

Kiedy warstwa szronu i lodu osiągnie grubość 4-5 mm, urządzenie należy rozmrozić. Najlepiej robić to wtedy, gdy w zamrażarce nie ma żadnych produktów albo jest ich mało.

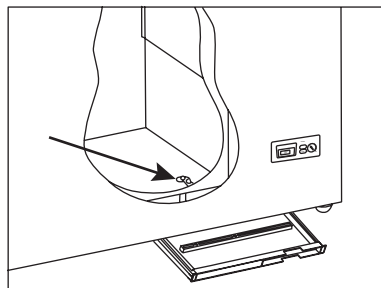
Postępuj zgodnie z poniższą instrukcją:

1. Uruchom funkcję szybkiego zamrażania na 4-5 godz. przed przystąpieniem do rozmrażania urządzenia. Temperatura przechowywanych produktów spadnie wtedy do ok. $-25\text{ }^{\circ}\text{C}$, co pozwoli im dłużej pozostać w stanie zamrożonym po wyjęciu z zamrażarki (patrz: punkt 3).
2. Odłącz zasilanie.
3. Wyjmij produkty z zamrażarki. Włóż je do lodówki lub dobrze opakuj, aby ograniczyć ich rozmrażanie.
4. Pozostaw pokrywę zamrażarki otwartą.
5. Umieść ściankę działową (tackę) pod odpływem wody.
6. Do zamrażarki wstaw miskę z ciepłą (nie wrzącą) wodą, zamknij pokrywę. Po ok. 30 minutach usuń warstwę szronu łopatką.
7. Aby uniknąć rozlania się wody na podłodze, często sprawdzaj tackę pod

odpływem. Podłogę wokół odpływu należy przykryć, by ochronić ją przed wodą i lodem. Kiedy lód roztopi się, umyj wewnątrz urządzenia letnią wodą z dodatkiem niewielkiej ilości bezzapachowego płynu do mycia naczyń. Wytrzyj miękką szmatką.

8. Włącz zasilanie. Jeśli do zamrażarki trzeba włożyć dużą ilość produktów, można włączyć funkcję szybkiego zamrażania.
9. Produkty można wkładać z powrotem po ok. 5 minutach od uruchomienia zamrażarki.

Pamiętaj, aby ponownie zatkać odpływ wody.



Rys. 8

Czyszczenie i konserwacja

Czyszczenie

Przed przystąpieniem do mycia zamrażarki należy wyjąć korek odpływu wody i wszelkie ruchome elementy z jej wnętrza.

Najlepiej myć urządzenie letnią wodą z dodatkiem niewielkiej ilości bezzapachowego płynu do mycia naczyń (maks. 65 °C). Nie należy stosować środków czystości, które mogłyby porysować powierzchnię. Używaj miękkiej szmatki. Zmyj czystą wodą i dokładnie wytrzyj. Nie pozwól, by woda dostała się do panelu kontrolnego.

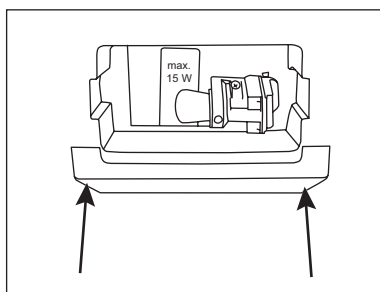
Listwa uszczelniająca pokrywę wymaga częstego mycia w celu zapobiegania przebarwieniom i zapewnienia długiej trwałości. Używaj czystej wody. Po umyciu listwy należy sprawdzić, czy nadal szczelnie przylega.

Nie należy dopuszczać do osadzenia się kurzu i brudu na kratce wentylacyjnej. Najlepiej czyścić ją przy pomocy odkurzacza.

Przed dłuższym wyjazdem należy odłączyć zasilanie, wyjąć wtyczkę z gniazdka, opróżnić i umyć wnętrze urządzenia i pozostawić otwartą pokrywą, aby zapobiec powstaniu nieprzyjemnego zapachu.

Wymiana żarówki

1. Odłącz zasilanie i wyjmij wtyczkę z gniazdka.
2. Zdemontuj osłonę żarówek (rys. 9). Ściśnij osłonę, aby zwolniły się dwa mocujące ją zaciski.
3. Wymień żarówkę(-i).
4. Zamocuj osłonę i włącz zasilanie.



Rys. 9

Oszczędzaj energię

- studź ciepłe potrawy i płyny przed wstawieniem do zamrażarki.
- rozmrażaj produkty w lodówce.
- nie otwieraj niepotrzebnie pokrywy.
- regularnie sprawdzaj szczelność pokrywy.
- ustaw zamrażarkę w chłodnym (min. 5°C), przewiewnym pomieszczeniu.
- podczas rozmrażania urządzenia przechowuj zamrożone produkty w lodówce.
- nie dopuszczaj do osadzania się zbyt grubej warstwy lodu na ściankach urządzenia.

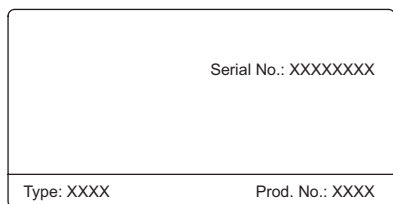
Lokalizacja usterek

Usterka	Możliwa przyczyna	Sposób usunięcia
Nie świeci żadna kontrolka.	Urządzenie jest wyłączone. Zanik napięcia; odcięcie napięcia przez bezpiecznik; wtyczka nie jest prawidłowo umieszczona w gniazdku.	Sprawdź wtyczkę i włącznik. Upewnij się, że urządzenie jest podłączone do źródła zasilania. Bezpiecznik musi być załączony.
Temperatura wewnątrz urządzenia jest za wysoka.	Kratka wentylacyjna jest zatkana. Pokrywa zamrażarki nie została prawidłowo zamknięta. Do zamrażarki włożono jednocześnie więcej produktów niż jest ona w stanie zamrozić. Gruba warstwa lodu i szronu. Termostat nastawiony jest na zbyt wysoką temperaturę.	Zapewnij swobodny dopływ powietrza. Zamknij szczelnie pokrywę i zaczekaj kilka godzin. Zaczekaj kilka godzin. Rozmroź urządzenie. Zmień ustawienie termostatu na niższą temperaturę.
Temperatura w zamrażarce jest za niska.	Uruchomiona jest funkcja szybkiego zamrażania. Termostat nastawiony jest na zbyt niską temperaturę. Pokrywa dotyka produktów umieszczonych w zamrażarce.	Wyłącz funkcję szybkiego zamrażania. Zmień ustawienie termostatu na wyższą temperaturę. Rozmieść odpowiednio produkty i sprawdź, czy pokrywa szczelnie się zamyka.
Szybko następuje osadzanie się szronu i lodu.	Pomieszczenie, w którym stoi zamrażarka jest bardzo wilgotne. Produkty w zamrażarce wydzielają wilgoć.	Często wietrz pomieszczenie lub przenieś zamrażarkę w bardziej suche miejsce. Przepakuj produkty.
Nie można otworzyć pokrywy.	Podciśnienie w komorze zamrażarki.	Poczekaj 2-3 minuty aż ciśnienie się unormuje i spróbuj ponownie.
Wibracje i hałaśliwa praca urządzenia.	Urządzenie stoi na nierównym podłożu. Inne sprzęty/przedmioty dotykają urządzenia. Pojemniki lub ścianki działowe wewnątrz zamrażarki nie są odpowiednio umocowane.	Ustaw zamrażarkę na równym, poziomym i stabilnym podłożu. Odsuń urządzenie od innych sprzętów i przedmiotów. Sprawdź ruchome części urządzenia i umocuj je ponownie.

Części zamienne

Części zamienne

Zamawiając części zamienne należy podać typ i numer serii oraz numer urządzenia (patrz: rys. 1 str. 3 i rys. 10). Informacje te znajdują się na tabliczce znamionowej z tyłu urządzenia. Tabliczka znamionowa zawiera szereg danych technicznych oraz typ i nr serii.



Rys. 10


Pamiętaj, aby zawsze korzystać z usług autoryzowanych punktów naprawy!

Usuwanie

Stosować się do obowiązujących przepisów w dziedzinie ochrony środowiska. Dział techniczny w gminie udziela informacji o sposobach zbiórki i utylizacji mebli kuchennych tego typu.

Niniejsze urządzenie posiada oznaczenia zgodnie z Dyrektywą Europejską 2002/96/EC w sprawie zużytego sprzętu elektrycznego i elektronicznego (WEEE). Zapewniając prawidłowe złomowanie niniejszego urządzenia przyczynią się Państwo do ograniczenia ryzyka wystąpienia negatywnego wpływu produktu na środowisko i zdrowie ludzi, które mogłoby zaistnieć w przypadku niewłaściwej utylizacji urządzenia.



Symbol  umieszczony na produkcie lub na dołączonych do niego dokumentach oznacza, że niniejszy produkt nie jest klasyfikowany jako odpad z gospodarstwa domowego.

Urządzenie, w celu jego złomowania, należy zdać w odpowiednim punkcie utylizacji odpadów w celu recyklingu komponentów elektrycznych i elektronicznych.

Urządzenie należy złomować zgodnie z lokalnymi przepisami dot. utylizacji odpadów.

Dodatkowe informacje na temat utylizacji, złomowania i recyklingu opisywanego urządzenia można uzyskać w lokalnym urzędzie miasta, w miejskim przedsiębiorstwie utylizacji odpadów lub w sklepie, w którym produkt został zakupiony.

Prima dell'uso

Prima di mettere in funzione il Suo nuovo apparecchio, legga attentamente le istruzioni qui di seguito, che contengono importanti informazioni riguardo l'installazione, il funzionamento e la manutenzione. Conservi le istruzioni per poterle consultare in futuro.

Al momento della ricezione, controlli che l'apparecchiatura non abbia subito danni. Qualsiasi danno dovuto al trasporto dev'essere comunicato al distributore locale prima di mettere in funzione l'apparecchiatura.

Asportazione dell'imballaggio. Pulire l'interno del cassone servendosi di acqua calda con un detergente delicato ed esente da profumi. Sciacquare con acqua pulita ed asciugare completamente (vedi istruzioni per la pulizia). Usare un panno morbido. Se l'apparecchiatura è stata collocata in un ambiente freddo (temperature inferiori a +5 °C), prima di accenderla è necessario attendere almeno un'ora per permettere che si stabilizzi.

Se durante il trasporto l'apparecchiatura era stata collocata "in piedi", prima di accenderla è necessario lasciarla stabilizzare in posizione normale per circa 12 ore.

Attenzione

Poiché il refrigerante utilizzato in quest'apparecchiatura è un gas infiammabile (Isobutano R600a), è necessario prestare particolare attenzione onde evitare danni al circuito ed alle tubazioni del refrigerante durante il trasporto e l'installazione.

Nel caso in cui si siano verificati danni, evitare scintille e/o fiamme libere nelle vicinanze dell'apparecchio, accertarsi che il locale sia ben ventilato, staccare l'alimentazione elettrica e contattare il fornitore.

La riparazione e/o manutenzione dell'unità

devono essere esclusivamente effettuate da tecnici qualificati di un centro di assistenza omologato.

Apparecchi di vecchio tipo

I frigoriferi e i congelatori di vecchio tipo sono spesso muniti di complessi dispositivi di chiusura che possono essere aperti soltanto dall'esterno. Se Lei deve collocare una di queste unità in un luogo appartato, o se ne deve rottamare una, si ricordi di mettere fuori uso il dispositivo di chiusura onde evitare che i bambini corrano il grave pericolo di rimanere intrappolati all'interno dell'unità.

Indice

Impari a conoscere il Suo	
congelatore a	3
Installazione e messa in funzione.....	4
Connessioni elettriche.....	5
Gestione e funzionamento.....	6
Uso.....	7
Sbrinamento.....	8
Pulizia e manutenzione.....	9
Ricerca guasti.....	10
Parti di ricambio.....	11
Smaltimento.....	12

Impari a conoscere il Suo congelatore a cassone

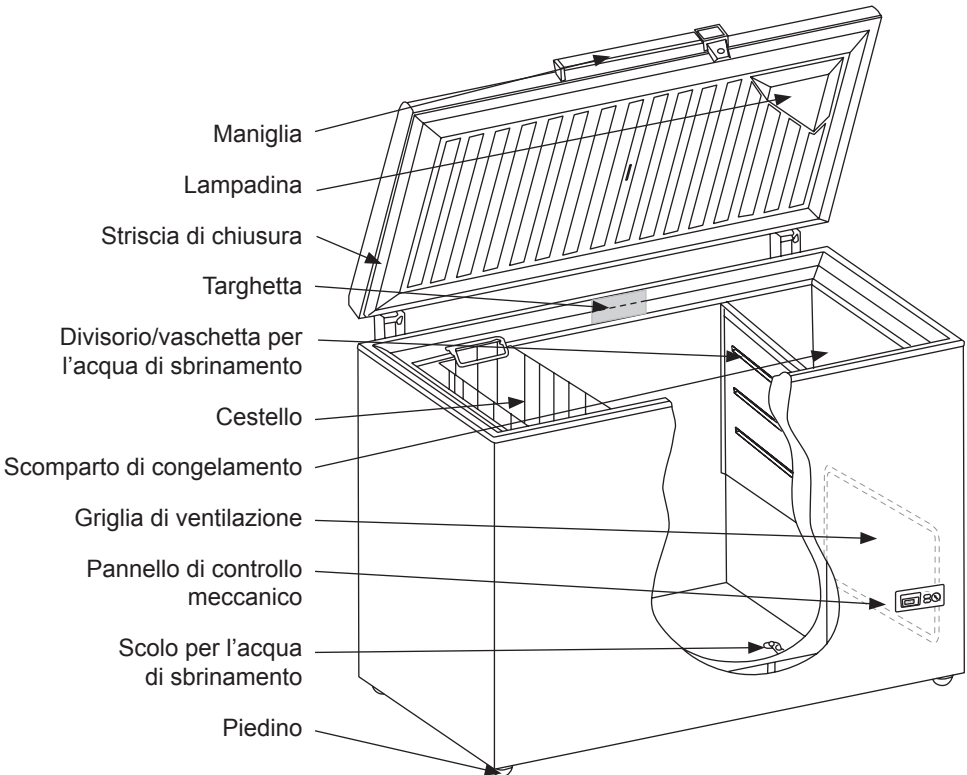


fig. 1

Installazione e messa in funzione

Collocazione

Per motivi di sicurezza e di funzionamento, l'apparecchio non deve essere installato in esterni.

L'apparecchio deve essere collocata su una superficie stabile e livellata in un locale secco e ben ventilato (max. 75% di umidità relativa).

Non collocare mai l'apparecchio vicino a fonti di calore quali fornelli o caloriferi, ed evitare di esporlo alla luce diretta del sole.

Temperatura del locale

La classificazione climatica è indicata sulla targhetta (vedi fig. 1 a pag. 3 e fig. 10 a pag. 12), che specifica la temperatura ottimale del locale.

Classificazione climatica	Temperatura ottimale del locale
SN	da +10 °C a +32 °C
N	da +16 °C a +32 °C
ST	da +18 °C a +38 °C
T	da +18 °C a +43 °C

Se la temperatura del locale è sotto zero, l'apparecchiatura non funzionerà correttamente.

Ventilazione

È importante che l'apparecchio sia ben ventilato e che l'aria possa liberamente circolare sopra, sotto e attorno all'apparecchio stesso. La Figura 2 mostra come assicurare la necessaria circolazione dell'aria.

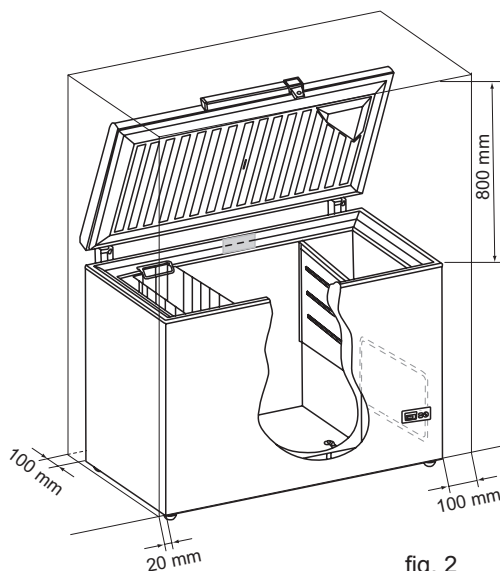


fig. 2

Tra il fondo dell'apparecchio e il pavimento ci deve essere uno spazio libero di almeno 15 mm.

IMPORTANTE! Ci deve essere libero accesso alla griglia di ventilazione (fig. 3).

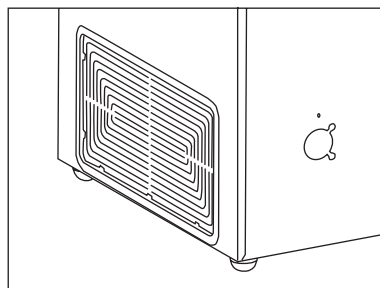


fig. 3

Connessioni elettriche

L'apparecchio è previsto per il collegamento a corrente alternata. La tensione (V) e la frequenza (Hz) richieste sono riportate sulla targhetta sul retro dell'apparecchiatura. Il collegamento della corrente deve avvenire da una presa da parete indipendente.

In caso di danneggiamento del cavo di alimentazione, quest'ultimo va sostituito con uno di tipo equivalente fornito dal fabbricante o da un centro di servizio omologato.

Specifiche tecniche

L'apparecchio è conforme alle normative, alle direttive ed agli standard per il contrassegno CE.

Direttiva bassa tensione 73/23/EEC.

Direttiva EMC 89/336/EEC.

Direttiva del Consiglio 92/75/EEC sull'etichettatura del consumo di energia delle apparecchiature domestiche e successivi emendamenti 94/2/EC e 2003/66/EC.

Direttiva 96/57/EC sui requisiti di efficienza energetica e successivi emendamenti.

Gestione e funzionamento

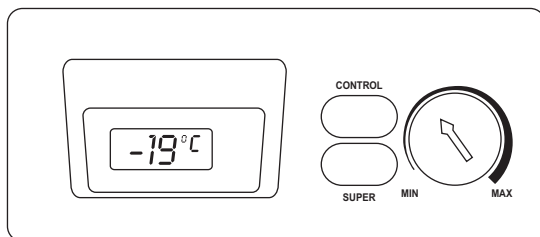


fig. 4

Controlli meccanici

Oltre a una manopola per il termostato, il pannello di controllo contiene due lampadine-spia e un pulsante (fig. 4). L'aspetto del pannello di controllo e la posizione delle lampadine possono essere differenti.

La spia verde è accesa quando l'alimentazione è correttamente collegata.

La spia gialla è accesa quando è stato premuto il pulsante Super Freeze (vedi Super Freeze).

Messa in funzione

Collegare l'apparecchiatura alla presa di corrente. La spia verde si accende per indicare che è collegata l'alimentazione. Anche la spia rossa sul pannello di controllo si accenderà per indicare che la temperatura all'interno del congelatore non è ancora sufficientemente bassa.

Impostazione della temperatura

L'impostazione della temperatura avviene ruotando la manopola del termostato da MIN a MAX. Si consiglia di utilizzare una moneta per ruotare la manopola. Quanto

più si ruota la manopola del termostato verso MAX, tanto minore sarà la temperatura. Per controllare se l'impostazione è corretta, misurare la temperatura del prodotto più in alto al centro del congelatore: la temperatura non deve essere superiore a $-18\text{ }^{\circ}\text{C}$.

Super Freeze

Se devono essere congelati più di 3 kg di prodotti freschi, procedere in questo modo:

1. Premere il pulsante Super Freeze (la spia gialla si accende). In tal modo il congelatore funzionerà a capacità massima (il compressore marcia in continuazione).
2. Attivare Super Freeze 24 ore prima di collocare prodotti freschi nel congelatore.
3. Dopo aver messo i prodotti freschi nel congelatore, lasciare inserito Super Freeze per altre 24 ore.
4. Quindi premere nuovamente il pulsante Super Freeze (la spia gialla si spegne).

Uso

Congelatore

L'apparecchiatura è un congelatore a quattro stelle omologato per il congelamento e l'immagazzinamento di cibi surgelati.

Congelamento

Per conservare meglio i cibi, essi devono essere congelati a $-18\text{ }^{\circ}\text{C}$ al più presto possibile. La capacità di congelamento del congelatore è indicata sulla targhetta in kg/24 ore (vedi fig. 1 a pag. 3 e fig. 10 a pag. 16). L'attivazione della funzione Super Freeze fa scendere ulteriormente la temperatura del congelatore a $-25\text{ }^{\circ}\text{C}$. Se devono essere congelati prodotti con un peso di 3 kg o più, il pulsante Super Freeze deve essere attivato circa 24 ore prima.

Per congelare quantità minori è sufficiente attivare Super Freeze un paio d'ore prima, o anche nello stesso momento in cui i cibi vengono messi nel congelatore.

Non è necessario utilizzare la funzione Super Freeze quando vengono collocati nel congelatore prodotti presurgelati o piccole quantità singole di prodotti. Devono essere congelati soltanto prodotti freschi e di qualità. Carne, pollame, pesce, verdure, frutta, prodotti caseari e pietanze pronte sono adatti ad essere congelati. I prodotti con un elevato contenuto d'acqua, ad esempio lattuga, ravanelli, uva, mele, pere e cetrioli non sono adatti ad essere congelati.

I cibi da congelare devono essere racchiusi in contenitori a tenuta d'aria, sacchetti per freezer o simili. I prodotti devono essere congelati in porzioni appropriate. Non congelare verdure o carne in porzioni superiori a 2,5 kg. Mantenere asciutte le confezioni in modo da evitare che si congelino l'una assieme all'altra. Per assicurare un congelamento rapido, accertarsi nei limiti del possibile che i prodotti collocati nel congelatore non si tocchino l'una con l'altro. Per evitare che le superfici dei cibi si secchino, assicurarsi

inoltre che nelle confezioni vi sia la minima quantità d'aria possibile.

I cibi da congelare devono essere collocati nello scomparto di congelamento o devono essere ripartiti uniformemente lungo le pareti interne del congelatore.

Ricordarsi di scrivere sempre la data, il contenuto e la quantità sulle confezioni prima di collocarle nel congelatore. È buona idea raggruppare i prodotti all'interno del congelatore: tenere la verdura in un posto, la carne in un altro e così via.

Tra il coperchio e i prodotti conservati nel congelatore ci deve essere uno spazio libero di almeno 5 mm.

I prodotti collocati nei cestelli sono ben visibili e facilmente accessibili (fig. 6).



fig. 6

Scongelamento

La frutta e le verdure surgelate non necessitano di scongelamento prima dell'uso, e possono essere immerse in acqua bollente direttamente dal congelatore.

Per sgelare la carne è consigliabile toglierla dal congelatore il giorno prima dell'uso mettendola a scongelare in un frigorifero. Ciò assicura un'igiene ottimale e preserva al massimo la qualità.

Nota:

Le bottiglie di vetro e le lattine contenenti bevande gasate non devono mai essere collocate nel congelatore in quanto potrebbero esplodere.

Sbrinamento

I prodotti conservati e l'umidità dell'aria provocano gradualmente la formazione di brina e di ghiaccio nel congelatore. Un sottile strato di brina o di ghiaccio non influisce sulle prestazioni del congelatore, ma quanto più spesso è lo strato, tanto maggiore sarà il consumo di energia. Piccole quantità di brina non ben fissate possono essere tolte utilizzando un raschietto di plastica.

Non utilizzare mai apparecchiature elettriche o utensili appuntiti, poiché potrebbero danneggiare le parti interne dell'apparecchiatura.

Quando lo strato di brina e ghiaccio supera i 4-5 mm di spessore, il congelatore deve essere sbrinato completamente. Si raccomanda di effettuare lo sbrinamento quando nel congelatore non ci sono prodotti o quando ve ne sono in numero limitato.

Procedere in questo modo:

1. Premere il pulsante Super Freeze 4-5 ore prima dello sbrinamento. In questo modo la temperatura dei prodotti conservati scenderà a circa -25°C permettendo ai prodotti di rimanere congelati più a lungo dopo essere stati tolti dal congelatore (vedi punto 3 più sotto).
2. Staccare l'alimentazione elettrica.
3. Togliere i cibi dal congelatore e collocarli in un frigorifero o avvolgerli in modo da mantenerli il più possibile freddi.
4. Tenere aperto il coperchio del congelatore.
5. Collocare il divisorio sotto allo scolo dell'acqua di sbrinamento.
6. Collocare una scodella d'acqua calda (ma non bollente) nel congelatore, chiudere il coperchio ed attendere circa 30 minuti prima di togliere la brina che si sta

7. Per evitare che l'acqua rovini il fondo del congelatore durante lo sbrinamento, è consigliabile controllare di tanto in tanto la vaschetta dell'acqua di sbrinamento e coprire il fondo attorno allo scolo dell'acqua di sbrinamento per proteggerlo da ghiaccio e spruzzi. Quando tutta la brina e il ghiaccio si sono sciolti, pulire l'interno del cassone utilizzando acqua con un detergente delicato ed esente da profumi. Asciugare il congelatore con un panno morbido.
8. Ricollegare l'alimentazione elettrica. Se devono essere rimessi nel congelatore molti prodotti, attivare il pulsante Super Freeze.
9. Ricollocare i prodotti nel congelatore circa 5 minuti dopo averlo acceso.

Ricordarsi di reinserire il tappo nello scolo dell'acqua di sbrinamento.

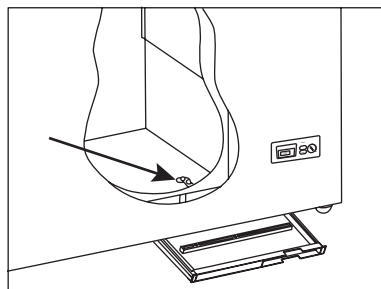


fig. 8

Pulizia e manutenzione

Pulizia

Prima di effettuare la pulizia, staccare l'alimentazione e elettrica e togliere tutti gli accessori non fissi.

Il miglior modo per pulire il cassone è quello di utilizzare acqua calda (max. 65 °C) con un po' di detergente delicato ed esente da profumi. Non utilizzare mai prodotti detergenti abrasivi. Usare un panno morbido. Sciacquare con acqua calda ed asciugare completamente. È importante evitare che penetri acqua nel pannello di controllo.

La striscia di tenuta attorno al coperchio dev'essere pulita con regolarità per prevenire lo scoloramento e prolungare a vita di servizio. Usare acqua pulita. Dopo aver pulito la striscia di chiusura, controllare che continui a mantenere una tenuta sicura. La griglia di ventilazione dev'essere mantenuta esente da polvere e sporcizia. Pulirla con un aspirapolvere.

Se l'apparecchiatura non deve essere usata per un certo periodo di tempo, spegnerla, staccarla dall'alimentazione elettrica, vuotarla, pulire il cassone e lasciare aperto il coperchio per permettere la circolazione dell'aria ed evitare cattivi odori.

Sostituzione della lampadina

1. Staccare l'alimentazione elettrica togliendo la spina dalla presa di corrente.
2. Togliere il coperchio della lampadina premendo l'estremità superiore del coperchio verso il basso per farlo uscire dai due fissaggi (fig. 9).
3. Sostituire la lampadina o le lampadine.
4. Rimontare il coperchio e ricollegare l'alimentazione elettrica.

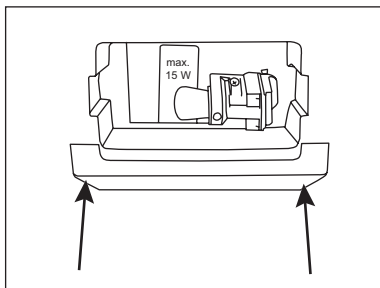


fig. 9

Come risparmiare energia

- Raffreddare i cibi e le bevande caldi prima di metterli nel congelatore.
- Scongellare i prodotti surgelati in frigorifero.
- Tener chiuso il coperchio per quanto sia possibile.
- Controllare con regolarità che il coperchio chiuda in modo sicuro.
- Collocare il congelatore in un locale fresco (min. 5 °C) e ben ventilato.
- Collocare i prodotti surgelati in un frigorifero mentre si sbrina il congelatore.
- Sbrinare il congelatore prima che lo spessore dello strato di ghiaccio diventi eccessivo.

Ricerca guasti

Guasto	Possibile causa	Rimedio
Non si accende nessuna lampadina-spia.	L'apparecchio è spento. Mancanza di elettricità; il fusibile è bruciato; l'apparecchio non è ben collegato alla presa di corrente.	Controllare presa e spina. Accertarsi che vi sia elettricità. Ripristinare il fusibile.
Temperatura nel congelatore troppo elevata	La griglia di ventilazione è bloccata. Il coperchio non è ben chiuso. La quantità di prodotti freschi collocati nel congelatore è superiore alla capacità dell'apparecchiatura. Spesso strato di brina e ghiaccio. Impostazione troppo alta del termostato.	Assicurare una circolazione dell'aria senza impedimenti. Chiudere il coperchio ed attendere alcune ore. Attendere alcune ore. Sbrinare il congelatore. Impostare il termostato su una temperatura più bassa.
Temperatura nel congelatore troppo bassa.	La funzione Super Freeze è attiva. Impostazione troppo bassa del termostato. Il coperchio tocca i prodotti conservati nel congelatore.	Disinserire Super Freeze. Impostare il termostato su una temperatura più alta. Riposizionare i prodotti nel congelatore e controllare che il coperchio chiuda in modo sicuro.
Il congelatore produce elevate quantità di brina.	L'umidità dell'aria nel locale è elevata. I prodotti collocati nel congelatore emettono umidità.	Ventilare più spesso il locale o spostare il congelatore in un locale meno umido. Riconfezionare i prodotti conservati nel congelatore.
Non si riesce ad aprire il coperchio.	La pressione nel congelatore è pressione bassa.	Attendere 2-3 minuti fino a quando la pressione si è livellata, quindi riprovare.
Vibrazioni e rumori insoliti.	L'apparecchiatura si trova su una superficie non livellata. L'apparecchiatura è a contatto con altri oggetti. I cestelli o il divisorio si sono allentati.	Posizionare il congelatore su una superficie stabile e livellata. Allontanare il congelatore da altre apparecchiature, mobili ecc. Controllare gli accessori mobili e riposizionarli.

Parti di ricambio e assistenza

Parti di ricambio

Quando si devono ordinare delle parti di ricambio, indicare i numeri di tipo, di serie e di produzione della Sua apparecchiatura (vedi fig. 1 a pag. 3 e fig. 10). Queste dati si possono leggere sulla targhetta sul retro dell'apparecchiatura. La targhetta contiene diverse informazioni di carattere tecnico, ivi compresi i numeri di tipo e di serie.

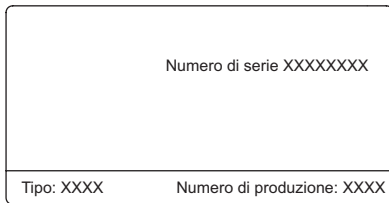


fig. 10

Nota: Quando il Suo apparecchio dev'essere riparato o sostituito, si rivolga sempre a centri di assistenza autorizzati!


Smaltimento

Si ricordi inoltre di rispettare scrupolosamente le normative ambientali. Quando deve smantellare l'apparecchio, contatti l'ufficio tecnico del Suo Comune per informarsi del modo in cui la raccolta ed il riciclaggio di queste unità avvengono nella Sua zona.

Questo apparecchio è contrassegnato in conformità alla direttiva europea 2002/96/CE RAEE (Rifiuti apparecchiature elettriche ed elettroniche).

Assicurandovi che questo prodotto venga eliminato correttamente, collaborerete alla prevenzione di potenziali conseguenze negative per l'ambiente e la salute umana che potrebbero essere causate da uno smaltimento inappropriato di questo prodotto.



Il simbolo  riportato sul prodotto o sui documenti di accompagnamento dello stesso indica che questo apparecchio non può essere trattato allo stesso modo dei rifiuti domestici. Al contrario, esso dovrà essere consegnato ad un adeguato punto di raccolta per il riciclaggio delle apparecchiature elettriche.

Lo smaltimento deve essere effettuato in conformità alle norme ambientali locali per lo smaltimento dei rifiuti.

Per informazioni più dettagliate sul trattamento, il recupero e il riciclaggio di questo prodotto, Vi invitiamo a contattare il Vostro comune, il Vostro servizio per la raccolta dei rifiuti domestici o il negozio presso il quale il prodotto è stato acquistato.

Перед началом эксплуатации

Прежде чем приступить к эксплуатации вновь приобретенного изделия, внимательно прочтите следующие инструкции, поскольку они содержат важную информацию по технике безопасности, установке, эксплуатации и техническому обслуживанию. Сохраните эти инструкции на тот случай, если они понадобятся в будущем.

При получении изделия убедитесь в том, что оно не имеет повреждений. О повреждениях, полученных во время транспортировки, следует доложить местному дистрибьютору прежде, чем вводить изделие в эксплуатацию.

Удалите упаковку. Вымойте изделие внутри теплым водным раствором мягкого моющего средства без запаха.

Тщательно промойте чистой водой и вытрите насухо (см. инструкции по мойке). Используйте мягкую ткань.

Если изделие хранилось в холодных условиях (при температуре ниже +5 °C), следует подождать не менее часа для стабилизации перед включением.

Если изделие транспортировалось в положении на торце, следует поставить его в нормальное положение и подождать приблизительно 12 часов для стабилизации перед включением.

Меры предосторожности

Поскольку хладагент, используемый в этом изделии, представляет собой горючий газ (изобутан R600a), во время транспортировки и монтажа следует соблюдать осторожность во избежание повреждения контура хладагента и трубопроводов.

В случае появления такого повреждения не допускайте возникновения открытого пламени или искрения вблизи изделия, а также обеспечьте хорошую вентиляцию в помещении, отключите электропитание и свяжитесь со своим поставщиком.

Сервисное обслуживание изделия должно выполняться только квалифицированными специалистами из официального сервисного центра.

Старые изделия

Старые холодильники и морозильные лари часто оснащались сложными защелками, открыть которые можно только снаружи. Если у вас где-то хранится одно из таких старых изделий или вы собираетесь его выбросить, не забудьте в первую очередь вывести из строя защелку, чтобы уберечь детей от очень серьезной опасности оказаться запертыми внутри.

Содержание

Общий вид морозильного ларя.....	3
Установка и ввод в эксплуатацию.....	4
Электрическое подключение.....	5
Настройка и режимы работы.....	6
Использование.....	8
Размораживание.....	9
Мойка и уход.....	10
Поиск и устранение неисправностей.....	11
Запасные части и сервис.....	12
Утилизация.....	13

Общий вид морозильного ларя

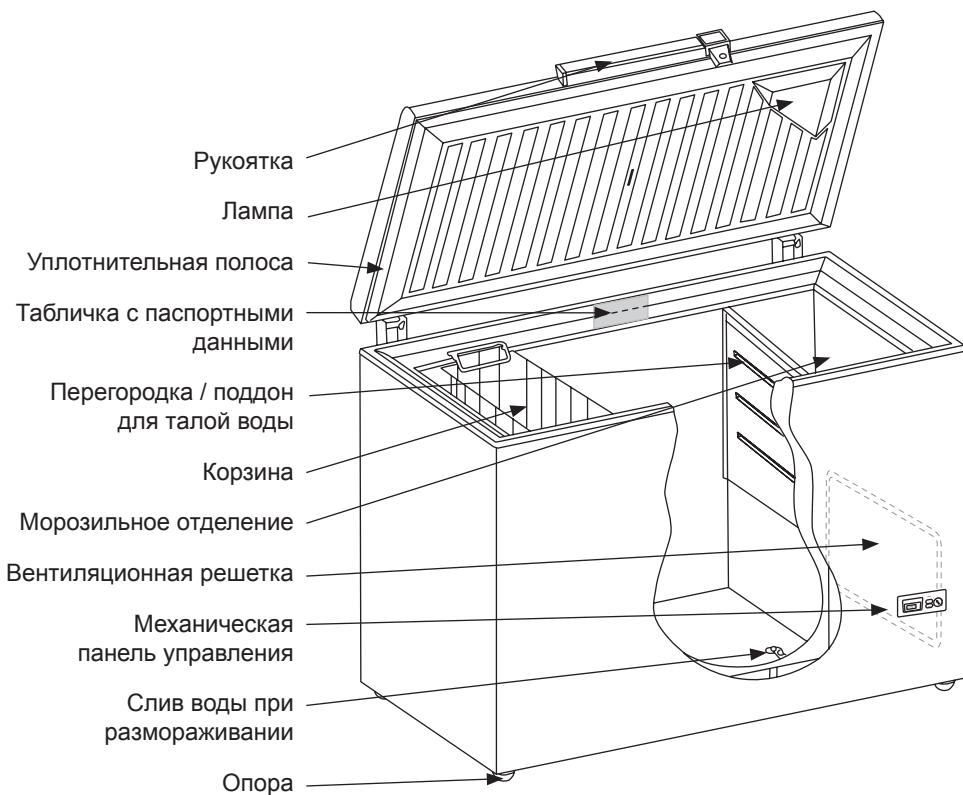


Рис. 1

Установка и ввод в эксплуатацию

Размещение

Исходя из соображений безопасности и правил эксплуатации, устанавливать изделие на открытом воздухе запрещается.

Для размещения изделия следует выбрать место с твердой, горизонтальной поверхностью в сухом, хорошо проветриваемом помещении (макс. влажность воздуха 75 %). На изделие не должны падать прямые лучи солнечного света, его нельзя также располагать вблизи источников тепла, например, вблизи кухонных плит, отопительных батарей и т.д.

Температура в помещении

Климатический класс указан на табличке с паспортными данными (см. рис. 1 на стр. 3 и рис. 10 на стр. 12). Он регламентирует оптимальную температуру в помещении.

Климатический класс	Оптимальная температура в помещении
SN	+10... +32 °C
N	+16... +32 °C
ST	+18... +38 °C
T	+18... +43 °C

Если температура в помещении ниже нулевой, нормальная работа изделия будет невозможна.

Вентиляция

Важно обеспечить хорошую вентиляцию изделия и возможность беспрепятственной циркуляции воздуха над ним, под ним и вокруг него. На рис. 2 показано, как можно обеспечить необходимую циркуляцию воздуха.

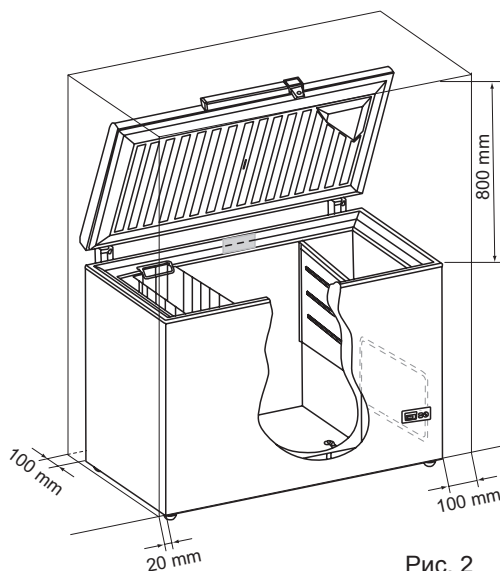


Рис. 2

Между дном изделия и полом должен быть зазор не менее 15 мм.

ВНИМАНИЕ! Необходимо обеспечить свободный доступ к вентиляционной решетке (рис. 3).

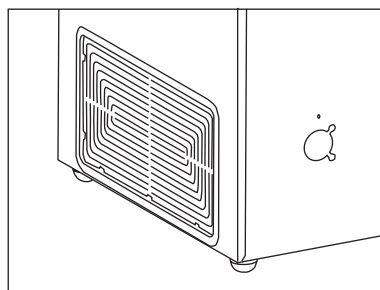


Рис. 3

Электрическое подключение

Изделие рассчитано на подключение к сети переменного тока. Требуемое напряжение (В) и частота тока (Гц) указаны на табличке с паспортными данными на задней стенке изделия. Подключение осуществляется через независимую настенную розетку.

В случае повреждения проводов питания их следует заменить проводами соответствующего типа, полученными от изготовителя или из официального сервисного центра.

Технические данные

Данное изделие имеет СЕ-маркировку и удовлетворяет требованиям следующих директив и стандартов. Директива по низковольтному оборудованию 73/23/ЕЕС.

Директива по электромагнитной совместимости 89/336/ЕЕС.

Директива консульского совета 92/75/ЕЕС по энергетической маркировке бытовых приборов с последующими поправками директив 94/2/ЕС и 2003/66/ЕС.

Директива 96/57/ЕС по требованиям к энергетической эффективности с последующими поправками.

Настройка и режимы работы



Рис. 4

Механические органы управления

Кроме ручки регулировки термостата, панель управления содержит две контрольных лампы и кнопку (рис. 4). Конструкция панели управления и расположение ламп могут изменяться. Зеленая лампа загорается при подаче правильного напряжения питания. Желтая лампа загорается при нажатии кнопки Суперзаморозка (см. “Суперзаморозка”).

Включение

Подсоедините изделие к розетке. Зеленая лампа загорится, указывая на включение питания. Красная лампа на панели управления также загорится, указывая на то, что температура внутри морозильного ларя еще недостаточно понизилась.

Настройка температуры

Температура задается поворотом ручки регулировки термостата от отметки МИН. в направлении отметки МАКС. Для поворота ручки рекомендуется использовать монету. Чем больше ручка регулировки термостата повернута в

направлении отметки МАКС., тем ниже будет температура. Для того чтобы проверить правильность настройки, измерьте температуру самого верхнего предмета в центре морозильного ларя.

Она должна быть не выше $-18\text{ }^{\circ}\text{C}$.

Суперзаморозка

При необходимости замораживания более 3 кг свежих продуктов необходимо действовать следующим образом:

1. Нажмите кнопку Суперзаморозка (загорится желтая лампа). Теперь морозильный ларь будет работать с максимальной производительностью (в условиях непрерывной работы компрессора).
2. Режим Суперзаморозка следует включать за 24 часа до помещения свежих продуктов в морозильный ларь.
3. После помещения свежих продуктов в морозильный ларь оставьте режим Суперзаморозка включенным еще на 24 часа.
4. Затем вновь нажмите кнопку Суперзаморозка (желтая лампа погаснет).

Использование

Морозильный ларь

Данное изделие представляет собой морозильный ларь класса четыре звезды, предназначенный для замораживания и хранения пищевых продуктов.

Замораживание

Для обеспечения наилучшей сохранности пищевых продуктов их замораживание до температуры -18°C должно быть как можно более быстрым. Производительность по замораживанию морозильного ларя указана на табличке с паспортными данными в кг/24 ч (см. рис. 1 на стр. 3 и рис. 10 на стр. 16). Включение режима Суперзаморозка понижает температуру в морозильном ларе до -25°C . При необходимости замораживания продуктов в количестве 3 кг или более кнопка Суперзаморозка должна быть нажата за 24 часа до начала замораживания.

При замораживании продуктов в меньшем количестве достаточно нажать кнопку Суперзаморозка за пару часов до начала замораживания или даже одновременно с укладкой продуктов в морозильный ларь. При укладке в морозильный ларь уже замороженных продуктов или небольших, отдельных предметов использовать режим Суперзаморозка нет необходимости.

Замораживайте только высококачественные свежие продукты. Мясо, птица, рыба, овощи, фрукты, молочные продукты и продукты быстрого приготовления подходят для замораживания. Продукты с высоким содержанием воды, например, салат-латук, редис, виноград, яблоки, груши и огурцы не годятся для замораживания.

Продукты в упаковке следует замораживать в воздухопроницаемых контейнерах, пакетах для морозильных ларей и т.п.

Замораживайте продукты надлежащими порциями. Не замораживайте овощи или мясо порциями весом более 2,5 кг. Пакеты должны быть сухими во избежание их смерзания между собой. Для обеспечения

быстрого замораживания постарайтесь по возможности размещать предметы в морозильном ларе так, чтобы они не касались друг друга. В пакетах должно оставаться как можно меньше воздуха для того, чтобы поверхность продуктов не высыхала.

Замораживаемые продукты следует помещать в морозильное отделение или равномерно укладывать вдоль внутренних стенок морозильного ларя.

Всегда записывайте дату, содержимое и количество пакетов перед помещением их в морозильный ларь. Целесообразно группировать продукты внутри морозильного ларя. Храните овощи в одном месте, мясо в другом и т.д.

Между крышкой морозильного ларя и хранимыми в нем продуктами должен оставаться зазор не менее 5 мм.

Продукты, хранимые в корзинах, хорошо видны и легко достаются (рис. 6).



Рис. 6

Оттаивание продуктов

Замороженные овощи и фрукты не нуждаются в оттаивании и сразу после извлечения из морозильного ларя могут быть погружены в кипящую воду.

Для оттаивания мяса рекомендуется извлечь его из морозильного ларя за день до использования и поместить в холодильник для размораживания. Это обеспечит максимальную гигиеничность и сохранит качество мяса в максимально Примечание:

Помещать в морозильный ларь стеклянные бутылки и банки с газированными напитками категорически запрещается, поскольку они могут взорваться.

Размораживание

В процессе хранения продуктов влага из воздуха постепенно вызывает образование инея и льда внутри морозильного ларя. Тонкий слой инея или льда не сказывается отрицательно на работе морозильного ларя, но чем толще он становится, тем выше становится потребление энергии. Небольшие количества неплотного инея можно удалять пластмассовым скребком.

Использовать для удаления электрические приборы или острые предметы запрещается, поскольку они могут повредить внутреннюю поверхность изделия.

Когда толщина слоя инея и льда превысит 4-5 мм, морозильный ларь следует полностью разморозить. Рекомендуется выполнять размораживание, когда в ларе нет продуктов или хранится небольшое их количество.

Выполните следующие действия:

1. Нажмите кнопку Суперзаморозка за 4-5 часов до размораживания. Это понизит температуру хранящихся продуктов приблизительно до -25°C и тем самым увеличит время их пребывания в замороженном состоянии после извлечения из морозильного ларя (см. п. 3 ниже).
2. Отключите электропитание.
3. Извлеките пищевые продукты. Поместите их в холодильник или укутайте для максимального сохранения холода.
4. Оставьте крышку морозильного ларя открытой.
5. Поместите перегородку под слив воды, образующейся при размораживании.

6. Поместите в морозильный ларь миску с горячей (но не кипящей) водой, закройте крышку ларя и подождите приблизительно 30 минут, прежде чем приступить к удалению инея пластмассовым скребком.
7. Для того чтобы вода, образующаяся при оттаивании, не испортила пол, рекомендуется время от времени проверять поддон для талой воды и накрыть чем-нибудь пол вблизи слива талой воды для защиты его от льдинок и брызг. После того как весь иней и лед растает, вымойте внутреннюю поверхность ларя водой со слабым моющим средством, не имеющим запаха. Вытрите насухо морозильный ларь мягкой тканью.
8. Включите электропитание. Если в морозильном ларе хранилось большое количество продуктов, нажмите кнопку Суперзаморозка.
9. Верните продукты в морозильный ларь приблизительно через 5 минут после его включения.

Не забудьте вновь вставить пробку в слив талой воды.

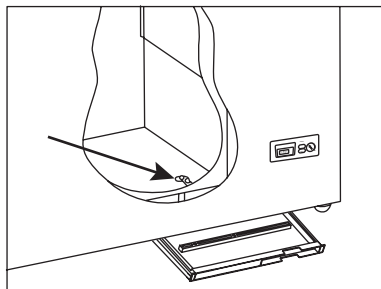


Рис. 8

Мойка и уход

Мойка

Перед началом мойки отключите электропитание и удалите из ларя все извлекаемые принадлежности.

Мойку ларя лучше всего осуществлять теплой водой (макс. 65 °С) с небольшим количеством слабого моющего средства. Никогда не применяйте чистящие средства для удаления отложений. Используйте мягкую ткань. Выполните промывку чистой водой и тщательную сушку. Важно не допустить попадания воды на панель управления.

Уплотнительную полосу по периметру крышки следует регулярно очищать для того, чтобы избежать ее обесцвечивания и продлить срок службы. Используйте чистую воду. После очистки уплотнительной полосы убедитесь в том, что она по-прежнему обеспечивает герметичное закрытие ларя.

Следите за тем, чтобы на вентиляционной решетке не скапливалась пыль и грязь. Для очистки используйте пылесос.

В случае вывода изделия из эксплуатации на какой-то период времени выключите его, отсоедините от сети питания, извлеките все содержимое, выполните мойку и оставьте крышку открытой для циркуляции воздуха и предотвращения появления запахов.

макс. 15 Вт

Замена лампы

1. Отключите питание, вынув вилку шнура из розетки.
2. Снимите плафон лампы, нажав на его верхний край для того, чтобы освободить из двух зажимов (рис. 9).
3. Замените лампу (-ы).
4. Установите плафон и включите питание.

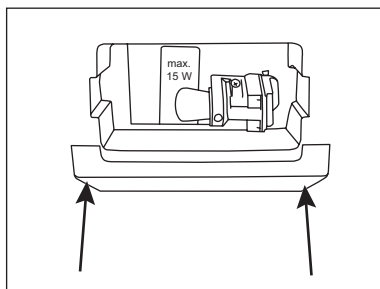


Рис. 9

Экономия энергии

- Охлаждайте горячие пищевые продукты и напитки перед помещением в морозильный ларь.
- Оттаивайте замороженные продукты в холодильнике.
- Держите крышку закрытой всегда, когда это возможно.
- Регулярно проверяйте герметичность прилегания крышки.
- Разместите морозильный ларь в холодном (не ниже 5 °С) помещении с хорошей вентиляцией.
- Помещайте замороженные продукты в холодильник во время размораживания морозильного ларя.
- Размораживайте морозильный ларь до того, как слой льда станет излишне толстым.

Поиск и устранение неисправностей

Неисправность	Возможная причина	Способ устранения
Контрольные лампы не горят.	Изделие выключено. Нарушение электропитания; перегорел предохранитель; вилка шнура питания неправильно вставлена в розетку.	Проверить вилку и розетку. Убедиться в наличии питания. Заменить предохранитель.
Температура в морозильном ларё завышена.	Засорена вентиляционная решетка. Крышка не закрыта надлежащим образом. Количество свежих продуктов, помещенных в морозильный ларё, превышает его производительность. Толстый слой инея и льда. Термостат настроен на слишком высокую температуру.	Обеспечить восстановление нормальной циркуляции воздуха. Закрыть крышку и подождать несколько часов. Подождать несколько часов. Разморозить морозильный ларё. Настроить термостат на более низкую температуру.
Температура в морозильном ларё слишком низкая.	Включен режим Суперзаморозка. Термостат настроен на слишком низкую температуру. Крышка касается продуктов в морозильном ларё.	Выключить режим Суперзаморозка. Настроить термостат на более высокую температуру. Переложить продукты в морозильном ларё и убедиться в том, что крышка закрывается герметично.
Количество образующегося инея в морозильном ларё слишком велико.	Высокая влажность воздуха в помещении. Продукты, помещенные в морозильный ларё, выделяют влагу.	Чаще проветривать помещение или переставить морозильный ларё в помещение с более низкой влажностью. Заново упаковать продукты в морозильном ларё.
Крышка не открывается.	В морозильном ларё отрицательное давление.	Подождать 2-3 минуты до устранения отрицательного давления и повторить попытку.
Вибрации и необычный шум.	Поверхность, на которой установлено изделие, негоризонтальная. Изделие касается окружающих предметов. Корзины или перегородка не закреплены.	Разместить морозильный ларё на плоской, горизонтальной и устойчивой поверхности. Отодвинуть изделие от других изделий или мебели. Проверить извлекаемые принадлежности и переустановить их.

Запасные части и сервис

Запасные части

При заказе запасных частей укажите тип, серийный и заводской номера вашего изделия (см. рис. 1 на стр. 3 и рис. 10). Эта информация приведена на табличке с паспортными данными на задней стенке изделия. Табличка с паспортными данными содержит различную техническую информацию, включая тип и серийные номера.



Рис. 10

Примечание: При необходимости ремонта или замены вашего изделия обращайтесь только в официальные сервисные центры!


Утилизация

Законодательство по охране окружающей среды подлежит соблюдению. При утилизации изделия свяжитесь с отделом технического надзора местной администрации, где вас информируют о порядке сбора и утилизации подобных изделий в вашем регионе.

Данное изделие имеет маркировку согласно Европейской директиве 2002/96/ЕС по отходам электрического и электронного оборудования (WEEE).

Обеспечив правильную утилизацию изделия, вы будете способствовать предотвращению возникновения возможного отрицательного влияния на окружающую среду и здоровье людей, что могло бы иметь место в случае неправильного направления в отходы этого изделия.



Символ  имеющийся на изделии и в документации, прилагаемой к нему, указывает на то, что с изделием нельзя обращаться как с бытовыми отходами. Вместо этого, его следует доставить в специализированный пункт сбора отходов электрического и электронного оборудования.

Утилизация должна производиться с соблюдением местного законодательства по охране окружающей среды.

Для получения более подробной информации по переработке, утилизации и рециклированию этого изделия, свяжитесь с местным городским офисом, вашей службой сбора бытовых отходов или магазином, в котором вы приобрели изделие.

- UK Vestfrost reserves the right to alter specifications without prior notice.
- DE Recht auf Änderungen vorbehalten.
- FR Nous nous réservons le droit d'apporter toutes modifications à nos produits
- DK Ret til ændringer forbeholdes
- NO Rett til endringer forbeholdes
- NL Recht tot wijzigingen voorbehouden
- ES La empresa se reserva el derecho a efectuar modificaciones
- CZ Vestfrost si vyhrazuje právo na změnu specifikací bez předchozího uvědomění.
- PL Zastrzega się prawo do wprowadzania zmian.
- IT La Vestfrost si riserva il diritto di modificare le specifiche senza comunicazioni preliminari.
- RUS Компания Vestfrost оставляет за собой право внесения изменений в технические характеристики без предварительного уведомления.